

# SATATYA CIDR50FL60CWP

5MP IR Dome Camera with 6mm Lens with Audio



**SATATYA CIDR50FL60CWP**  
5MP IR Dome Camera with 6mm Lens  
with Audio

Matrix Project Series Dome IP Cameras are built using superior components such as Sony STARVIS sensor and high MTF lens to offer unmatched image quality especially during the low light conditions. Powered by True WDR algorithm, these cameras offer consistent image quality even in highly varying light conditions. Built in intelligent analytics including Motion Detection, Intrusion Detection, Trip Wire, etc. ensure real-time security. Moreover, H.265 compression and Automatic Motion based Frame Rate Reduction save bandwidth and storage up to 50%.

## USP



SONY STARVIS  
SENSOR



H.265  
COMPRESSION



IVA



HIGHER FIELD  
OF VIEW



SMART  
STREAMING



ADAPTIVE  
STREAMING



TRUE WDR



NAS

## CERTIFICATION



Customer Care: (+91) 265 613 7222

E-mail: [Inquiry@MatrixComSec.com](mailto:Inquiry@MatrixComSec.com)

[www.MatrixVideoSurveillance.com](http://www.MatrixVideoSurveillance.com)

Make in India

# SATATYA CIDR50FL60CWP

5MP IR Dome Camera with 6mm Lens with Audio



## TECHNICAL SPECIFICATIONS

### IMAGE SENSOR

|                      |   |
|----------------------|---|
| Resolution           | 5 MP (2592 x 1944)  |
| Sensor Type and Size | 1/2.8" SONY – CMOS 5MP Active Pixel<br>Progressive Scan, Back Illuminated Image sensor (STARVIS Series) |

### LENS

|                      |  |
|----------------------|--|
| Minimum Illumination | Color - 0.01 Lux @ F1.2 (AGC ON)<br>Monochrome - 0 Lux |
| Focal Length         | 6mm  |
| Focus Range          | 0.3m to infinity                                       |
| Field of View (FOV)  | HFOV – 54.3°<br>VFOV – 29.2°<br>DFOV – 63°             |
| Lens Mount           | M12  |
| Focus                | Fixed focus  |
| Aperture (F#)        | F 1.6 / F 2.0  |
| Iris Type            | Fixed  |
| IR Range             | Up to 50m  |
| IR Led Wavelength    | 850nm  |
| IR Switching         | Auto/ Manual   |

### AUDIO INTERFACE

|                   |                  |
|-------------------|------------------|
| Audio IN          | 1                |
| Audio OUT         | 1                |
| Two-way Audio     | Supported        |
| Audio Compression | G.726 and G.711μ |
| Alarm In          | Yes              |
| Alarm Out         | Yes              |

### HARDWARE SPECIFICATIONS

|                         |  |
|-------------------------|--|
| SD Card                 | Up to 512GB  |
| Camera Adjustment Angle | Pan: 0° to 330°<br>Tilt: 0° to 75°<br>Rotate: 0° to 180° |

### IMAGE AND VIDEO

|                       |   |
|-----------------------|---|
| No of Stream Profiles | 4   |
| Stream Profiles       | Profile 1: 2592 x 1944p @30fps (H.265/H.264)<br>Profile 2: D1 @30fps (H.265/H.264)<br>Profile 3: 2048 x 1536p @8fps (MJPEG)<br>Profile 4: 1920 x 1080p @30fps (H.265/H.264/MJPEG) |

# SATATYA CIDR50FL60CWP

5MP IR Dome Camera with 6mm Lens with Audio



|                            |   |
|----------------------------|---|
| Available Resolutions      | 2592 x 1944, 2592 x 1520, 2048 x 1536, 1920 x 1080, 720p, D1, VGA, 2CIF, CIF  |
| Max Resolution             | 2592 x 1944   |
| Bitrate                    | 128 kbps-16Mbps   |
| Bitrate Type               | CBR, VBR  |
| Video Compression          | H.265, H.264, MJPEG   |
| Frame Rate                 | 1-30fps   |
| Shutter Speed              | 1/15s -1/100000s  |
| Adaptive Streaming         | Yes   |
| ONVIF Profiles             | Profile S and G   |
| Edge Recording             | Yes   |
| Alarm Recording            | Pre and Post  |
| Motion Recording           | Yes   |
| Time Triggered             | Yes   |
| Video Parameters           | Snapshot, Region of Interest (ROI), BLC, Day/Night Settings   |
| Privacy Masks              | 8   |
| WDR                        | True WDR (120dB)  |
| SNR                        | 73dB  |
| Image Enhancement          | Saturation/ Contrast/ Sharpness/Brightness/Auto Exposure/HVS-Forensics/ Smart IR  |
| DNR                        | 2D &3D  |
| Video Analytics            | Motion Detection, Tamper Detection, Trip/No Trip Detection, Object Intrusion/Zone Intrusion, Audio Exception  |
| <b>ALERTS</b>              |   |
| IP Conflict                | Yes   |
| Network Disconnect         | Yes   |
| Storage Full               | Yes   |
| <b>EVENTS AND ACTIONS</b>  |   |
| Upload Image               | SD, NAS, FTP  |
| Upload Clip                | SD, NAS, FTP  |
| Notifications              | E-mail, SMS, TCP  |
| <b>PROTOCOLS SUPPORTED</b> |   |
| Supported protocols        | TCP/IP, HTTP, ARP, DSCP, QoS, DHCP, DNS, DDNS, RTP, RTCP, RTSP, PPPOE, SMTP, NTP, HTTPS, TLS/SSL, FTP, ICMP, IGMP, 802.1x, SNMP, UPnP, Bonjour, UDP |
| Web Viewer                 | Supported in IE 8.0-11.0, Firefox 15.0-47.0, Chrome 20.0-54.0   |
| Browser                    | IE, Chrome, Mozilla   |

# SATATYA CIDR50FL60CWP

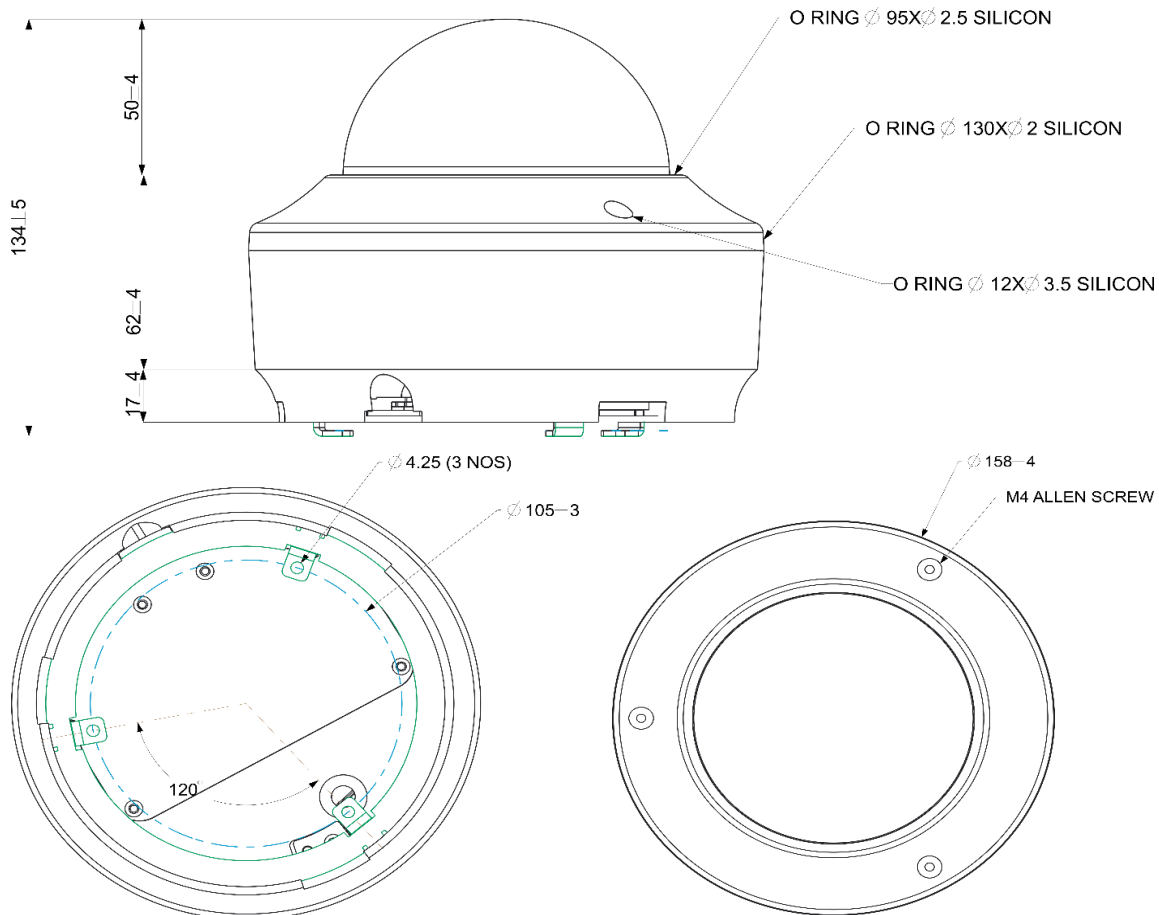
5MP IR Dome Camera with 6mm Lens with Audio



| OPERATING PARAMETERS    |  |
|-------------------------|--|
| Power Supply            | 12V (DC); 802.3af (PoE)  |
| Power Consumption       | Approximately 7W   |
| Operating Humidity      | Less than 95% RH (non-condensing)                                      |
| Operating Temperature   | -30°C to 60°C  |
| Storage Temperature     | -30°C to 60°C  |
| PHYSICAL PARAMETERS     |  |
| Communication interface | 10Base-T/100BaseTX Ethernet (RJ-45)                                    |
| Weight                  | 1.41kg   |
| Color                   | Infinity White   |
| Dimensions              | Φ158mm x 134mm   |
| Storage                 | NAS, SD Card   |
| Certifications          | BIS, CE, IP67, FCC Part-15 Subpart - B, ONVIF S & G, IK10, NEMA 4X, UL |

*\*Specifications are subject to change without prior notice\**

## DIMENSIONS (in mm)



# SATATYA CIDR50FL60CWP

## 5MP IR Dome Camera with 6mm Lens with Audio



### ABOUT MATRIX

Established in 1991, Matrix is a leader in security and telecom solutions for modern businesses and enterprises. Matrix, an innovative, technology driven and customer focused organization, is committed to keep pace with the revolutions in security and telecom industries. With more than 40% of its human resources dedicated to the development of new products, Matrix has launched cutting-edge products such as Unified Communications, IP-PBX, Universal Gateways, Convergence, VOIP Gateways, GSM Gateways, IP Video Surveillance, Access Control and Time-Attendance. These solutions are feature-rich, reliable and conform to the international standards. Having global footprints in Europe, North America, South America, Africa and Asia through an extensive network of more than 1000 system integrators, Matrix ensures that the products serve the needs of its customers faster and longer. Matrix has gained trust and admiration of customers representing the entire spectrum of industries. Matrix has won many national and international awards for its innovative products.



### MATRIX COMSEC

Head Office

394 – GIDC, Makarpura,

Vadodara – 390 010,

India.

Ph: +91 265 613 7222

E-mail: [Inquiry@MatrixComSec.com](mailto:Inquiry@MatrixComSec.com)

Factory

19 – GIDC, Waghodia,

Dist. Vadodara – 391 760, India.

Ph: +91 265 613 7222

### MATRIX COMSEC – North America

2 Wickstead

Crt, Brampton,

Ontario – L6R 1N8.

Ph: (+1) 408-643-0581 (USA)

Ph: (+1) 437-266-1005 (Canada)

[www.MatrixVideoSurveillance.com](http://www.MatrixVideoSurveillance.com)