

COSEC ARGO FACE



Contents

Know your COSEC ARGO FACE	3
What your Package Contains	7
Preparation for Installation	7
Installation Instruction - Wall Mounting	9
Installation Instruction - Flush Mounting	15
Connecting the Cables	21
Configuring the Settings from ARGO FACE	24
Configuring the Settings from ARGO FACE Web Page	29
Technical Specification	33

Please read this guide first for correct installation and retain it for future reference. The information in this guide has been authenticated at the time of publication. However, Matrix Comsec reserves the right to make changes in product design and specifications without prior notice.

Know your COSEC ARGO FACE

The COSEC ARGO FACE is available in three different variants as follows:

- 1) COSEC ARGO FACEE
- 2) COSEC ARGO FACEM
- 3) COSEC ARGO FACEI

Figure 1: Front View

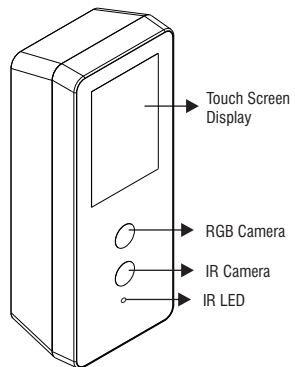


Figure 2: Bottom View

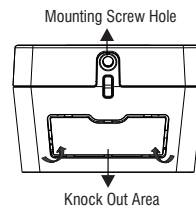
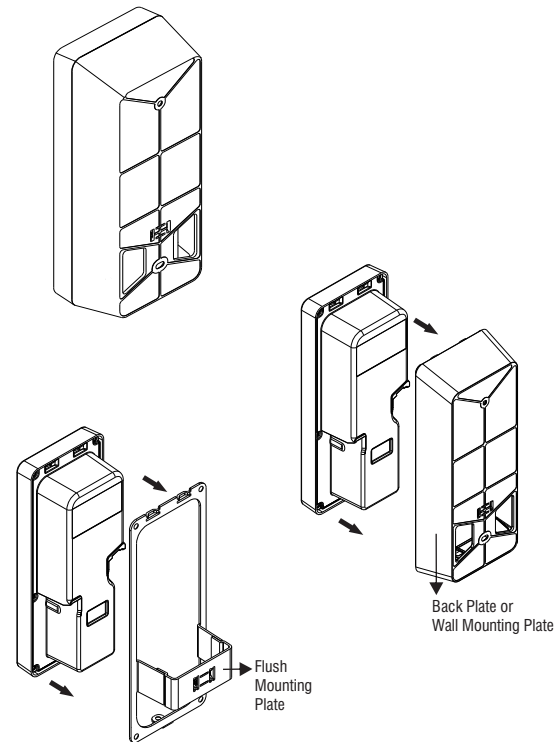


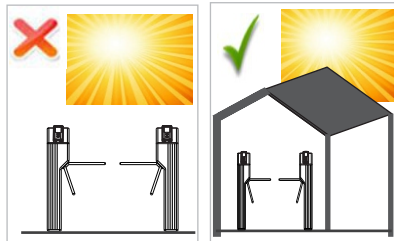
Figure 3: Rear View



Pre-Installation Safety Instruction

1. Do not install the device in extremely hot temperature or under direct Sunlight on turnstile or at extra bright places. This may affect the LCD and Camera sensor of device. You can do indoor installation or on the turnstile under the roof as shown in **Figure 4**.

Figure 4



2. You can mount the device on a flat surface such as a wall or near the elevator, close to the access point (door) with surface wiring or concealed wiring as shown in **Figure 5**.

3. Recommended height of the device from ground level is upto 120cm-130cm maximum as shown in **Figure 6**.

4. Minimum recommended distance of the user's face from the camera of the device is 30cm while maximum recommended is 120cm as shown in **Figure 6**.

Figure 5

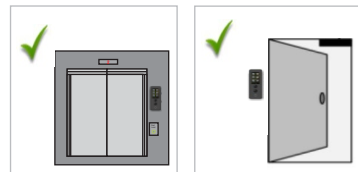
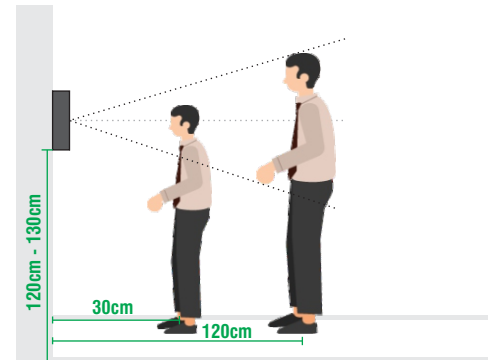


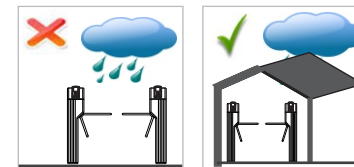
Figure 6



5. Do not install on unstable surfaces, near volatile inflammable materials, areas where volatile gas is created, where ferromagnetic field or noise is induced, where static is created, such as desks made of plastics, carpets.

6. As Device is IP65* certified, it is dust and splash proof but direct contact of water droplets on lens can affect the FR performance of the device, hence do not install the device in outdoor areas which may be exposed to rain. You can do indoor installation or on the turnstile under the roof as shown in **Figure 7**.

Figure 7



Built In Cameras

- For providing efficient Face Recognition, two Cameras are used in COSEC ARGO FACE.
- These Cameras are 2MP with Focal length of 2.8mm. The Cameras detect liveness and capture user images. The captured image is used to identify user for Time and Attendance Management.

What your Package Contains

- | | |
|-------------------------|--------------------------------------|
| 1) COSEC ARGO FACE Unit | 7) Power Adapter 12VDC,2A |
| 2) Flush Mounting Plate | 8) Power Supply Cable (with DC Jack) |
| 3) Wall Mounting Plate | 9) EM Lock Cable |
| 4) Four Screws M5/25 | 10) External Reader Cable |
| 5) Four Screw Grips | 11) Flush Mounting Template |
| 6) Overswing Diode | |

Preparation for Installation

Before Wall Mounting and Flush Mounting of COSEC ARGO follow below instructions.

- Remove the mounting screw from mounting screw hole at the bottom of device as shown in **Figure 2**. The screw will be required to fix the device after Wall Mounting or Flush Mounting.
- Slide the back plate downwards to unlock the device from the mounting hook and then remove it by pulling it outwards. This back plate serves as the Wall Mounting plate. For details see Installation Instructions for Wall Mounting.

- The Flush Mounting plate is available in the package. This plate will be required for Flush Mounting of COSEC ARGO FACE. For details see Installation Instructions for Flush Mounting.

Wall Mounting: Select a location. It must be a flat surface such as wall, close to the access point (door).

Flush Mounting: Select a wooden door or a location where the duct can be made. The rectangular duct has to be made in the wooden door in which Flush Mounting plate will be installed.

For **Concealed wiring** in Wall Mounting/Flush Mounting, first draw out sufficient length of the cables from the hole of the mounting plate.

For **Non-concealed wiring** in Wall Mounting; the knock -out area has to be removed from outside by pressing on the bottom duct as shown in **Figure 2**.

The connection of EM Lock must be done using the diode for Back EMF protection.

This product has a battery, BAT 3V 6.5 MAH LI-ION of Seiko Instruments Inc. : MS920T.



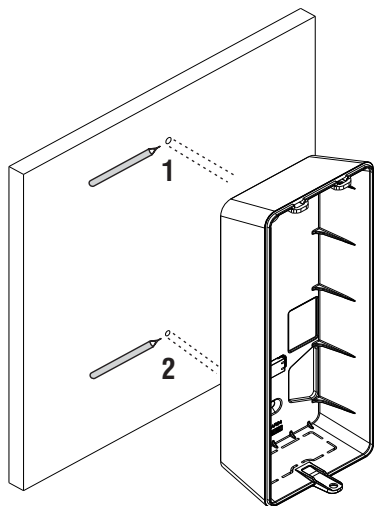
Risk of Explosion if Battery is replaced by an Incorrect Type. Dispose of Used Batteries According to the Instructions.



Risque d'explosion si la batterie est remplacée par un type incorrect. Mettre au rebut les batteries usagées selon les instructions.

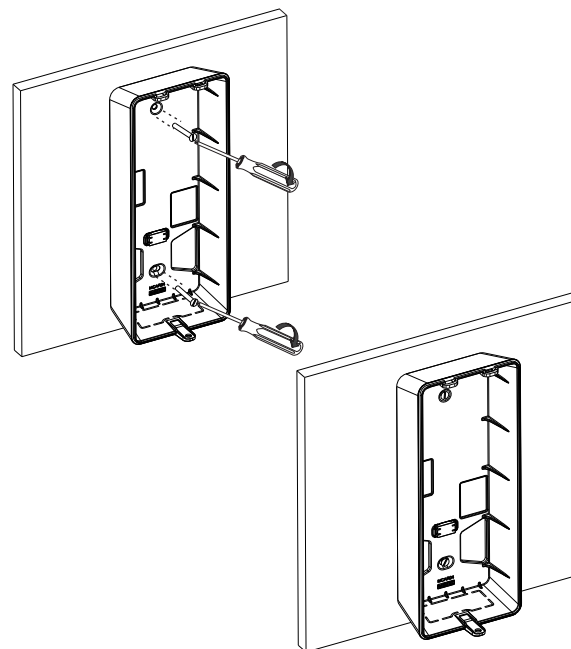
Installation Instruction: Wall Mounting

Step 1: Place the Wall Mounting plate and trace screw holes 1 and 2 on the wall where the device is to be installed.



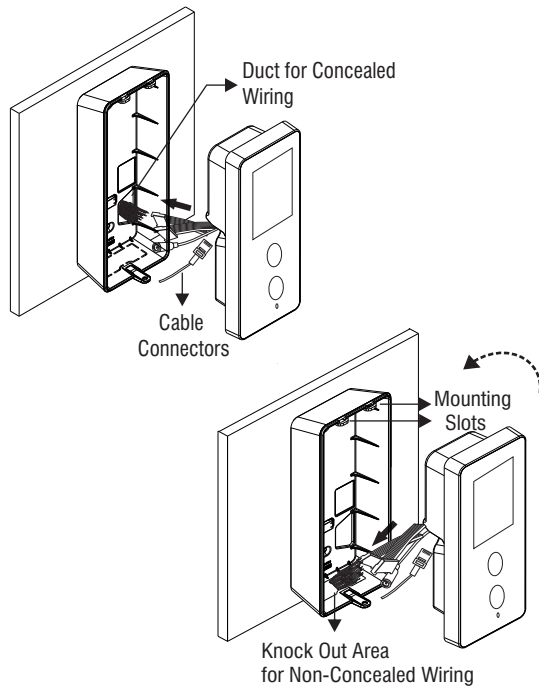
9

Step 2: Drill the screw holes along the traced markings. Fix Wall Mounting plate with the supplied screws. Tighten the screws with a screw driver.

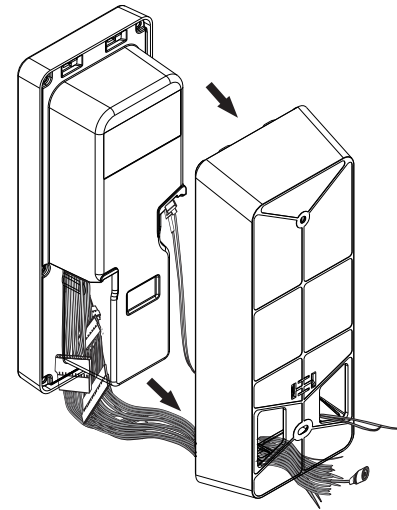


10

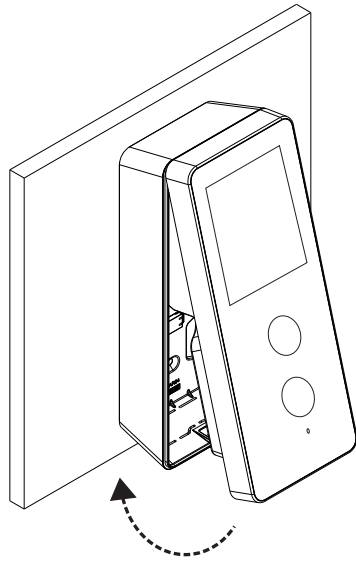
Step 3: Connect the cables of the COSEC ARGO FACE unit and lead all the cables through the duct of the Wall Mounting plate into the electrical box recessed in the wall i.e. **concealed wiring** or through the bottom of the device in **non-concealed wiring**.



- Keep all the cables parallel to the side of the COSEC ARGO FACE unit in such a way that it should not cover the back portion of the unit as illustrated in figure below.
- Radially curve all the cables and lead it through the duct to fit the wall mounting plate easily with COSEC ARGO FACE.

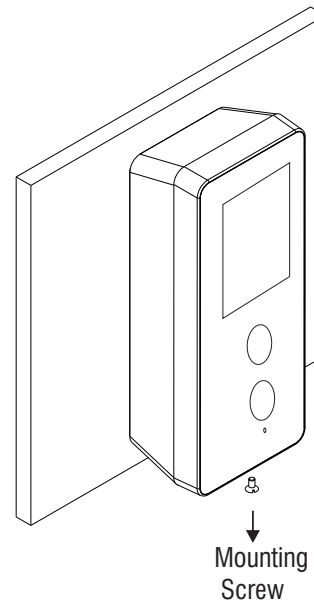


Step 4: Align COSEC ARGO FACE on the mounting plate and hook it into the mounting slot. Press the bottom side inwards to lock it in place.



13

Step 5: Insert the mounting screw into the mounting screw hole at the bottom of the device. Tighten the screw to complete the Wall Mounting.



14

Installation Instruction: Flush Mounting

Step 1: Place the Flush Mounting Template on the desired installation surface.

- Mark the area along the dotted line and trace the four screw holes (say A,B,C,D) on the wall as shown in **Figure 7**.
- Now drill the dotted line area and four screw holes (say A,B,C,D) on the wall as illustrated in **Figure 8**.

Figure 7

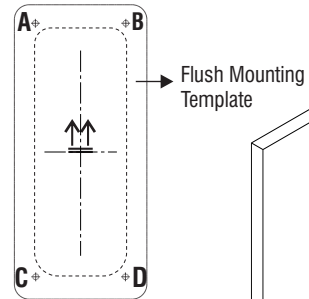
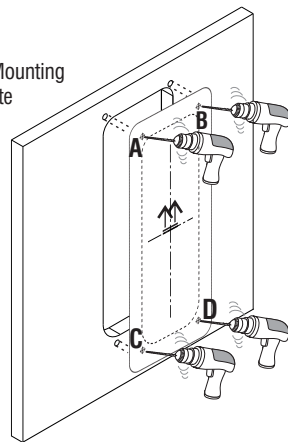
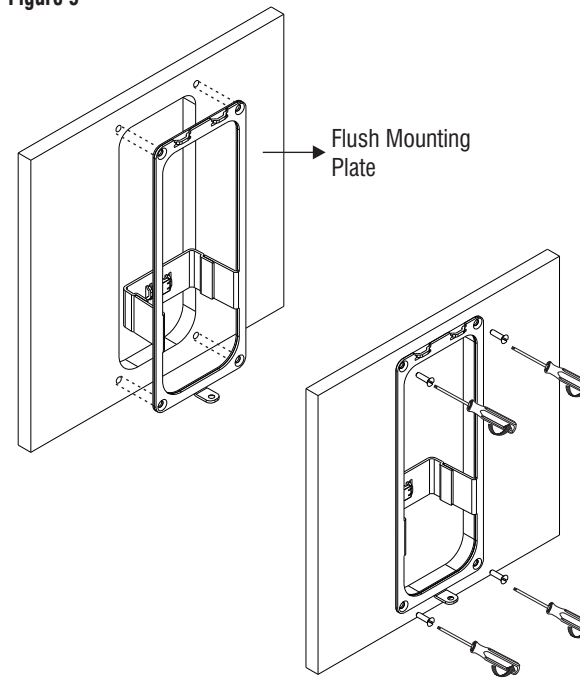


Figure 8



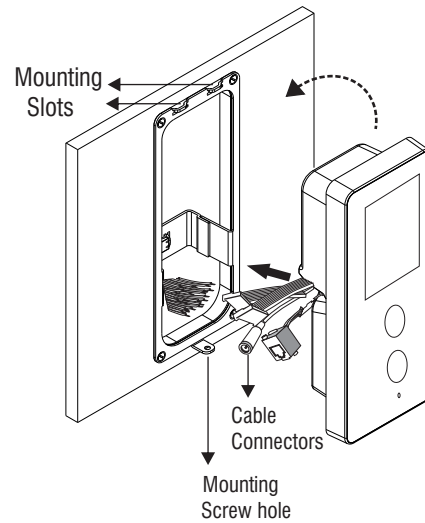
Step 2: Place and fix the Flush Mounting plate with the supplied screws. Tighten the screws with a screw driver.

Figure 9



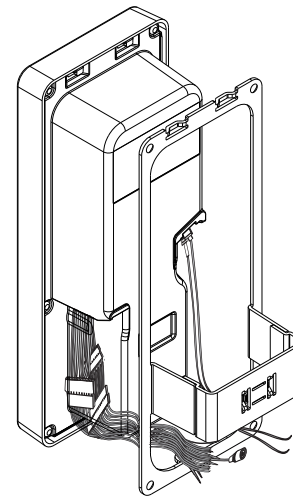
Step 3: Connect the cables of the COSEC ARGO FACE unit and lead all the cables through the Flush Mounting plate into the electrical box recessed in the wall.

Figure 10



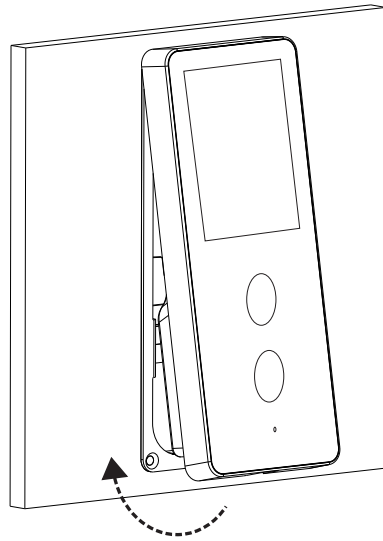
- Keep all the cables parallel to the side of the COSEC ARGO FACE unit in such a way that it should not cover the back portion of the unit as illustrated in the figure below.
- Radially curve all the cables and lead it through the duct to fit the flush mounting plate easily with COSEC ARGO FACE.

Figure 11



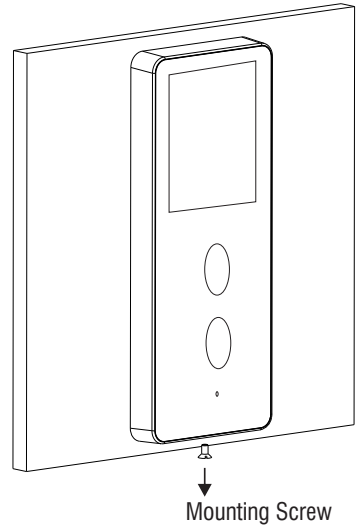
Step 4: Align COSEC ARGO FACE with the Flush Mounting plate and hook it into the mounting slot. Press the bottom side inwards to lock it in place.

Figure 12



Step 5: Insert the mounting screw into the mounting screw hole at the bottom of the device. Tighten the screw to complete the Flush Mounting.

Figure 13



Connecting the Cables

- For Concealed wiring; first draw out sufficient length of the cables from the hole you have made on the mounting surface.
- Connect the Power, External Reader and EM Lock cable assemblies to the 20 PIN connector affixed on the back side of the COSEC ARGO FACE Unit.
- Connect the Ethernet Cable to the LAN port.
- Connect the micro USB port to the Printer or Broadband dongle. If required, use a micro USB cable extender.

Figure 14

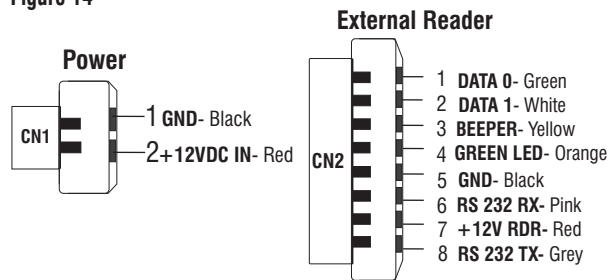


Figure 15

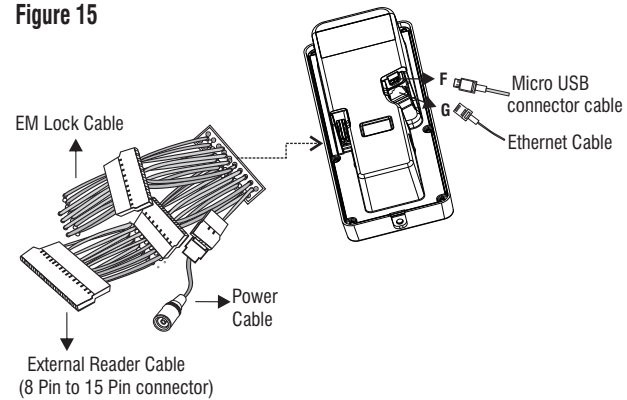
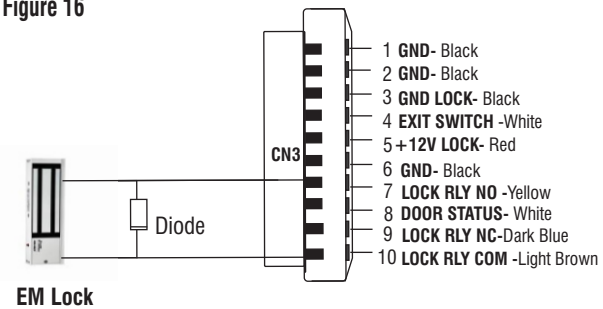
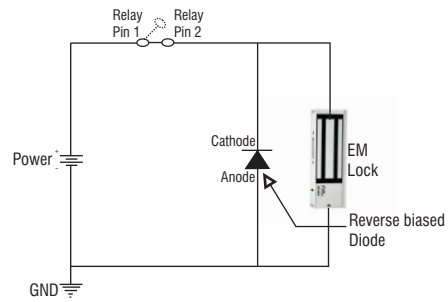


Figure 16



Diode Connection for Back EMF Protection



- Connect the Overswing diode in reverse biased condition parallel to the EM Lock for better lifetime contact and to protect the device from inductive kickback.

Configuring the Settings from ARGO FACE

Assigning IP/ Server Address to Device *(For first time user only)*

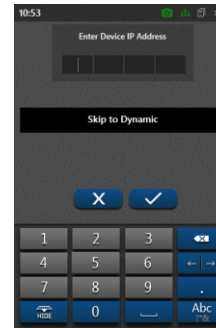


Figure 17: Set IP Address (Static/ Dynamic)



Figure 18: Set Server Address (COSEC CENTRA)

In case of COSEC VYOM

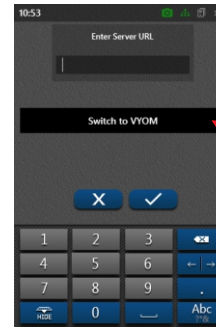


Figure 19: Tap Switch to VYOM



Figure 20: Tenant ID (COSEC VYOM)

Setting the Device and Server Address from Menu

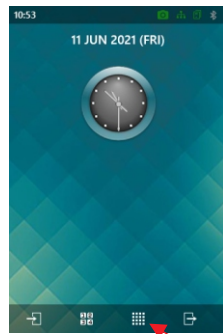


Figure 21: Tap Menu



Figure 22: Enter Password

 If you are logging in for the first time, you need to set the Password in **Choose New Password** and confirm the same in **Confirm New Password**.

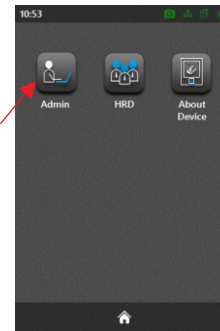


Figure 23: Tap Admin

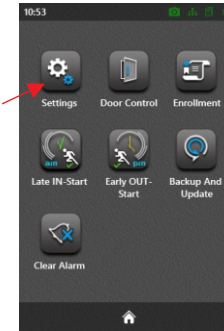


Figure 24: Tap Settings

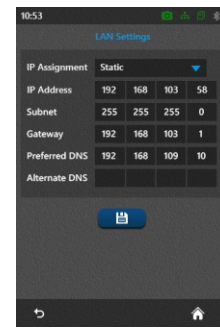


Figure 26: Set the LAN Configurations



Figure 25: Tap LAN



Figure 27: Tap Server

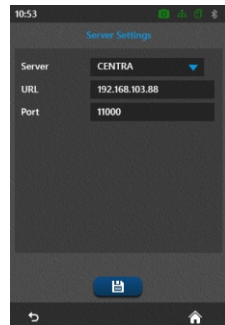


Figure 28: Set the Server Configurations (COSEC CENTRA)

In case of COSEC VYOM

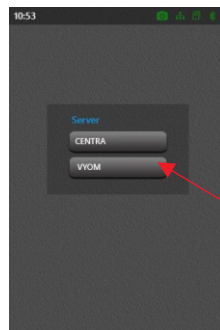


Figure 29: Select Server as VYOM

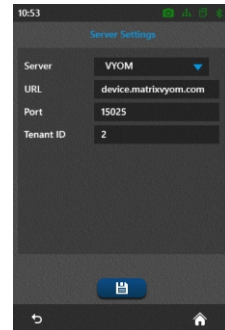


Figure 30: Set the Server Configurations (COSEC VYOM)

Checking the Connectivity Status

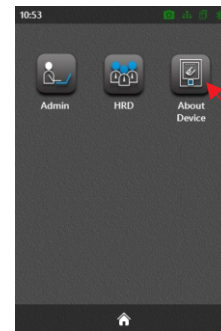
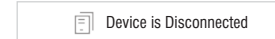
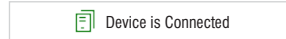


Figure 31: Tap About Device

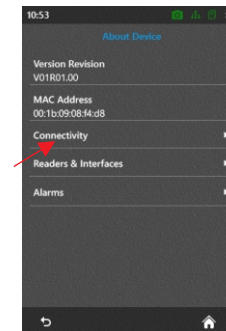


Figure 32: Tap Connectivity

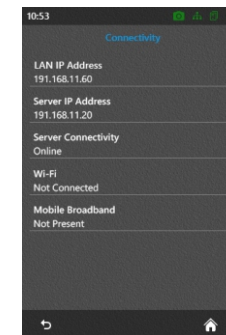


Figure 33: Connectivity Status

- If you enable the Auto Add New Devices check box in the Server (Admin Module > System Configuration > Global Policy > Device) the device will be added automatically. You can also add the device later manually. The Status will be online only if the Device is added in the Server.
- Make sure the Monitor Service is running.

Configuring the Settings from ARGO FACE Web Page

- Open the Web Browser in your computer.
- Enter the IP Address of the COSEC ARGO FACE, default: <http://192.168.50.1> in the address bar of the browser and press the Enter key on your computer keyboard.
- The Login page appears as shown in **Figure 34**. Enter the default **User Name** as **Admin**. You need to set the password, hence enter the desired password in **New Password** and re-enter the same in **Confirm Password**.
- Click **Login**.

Figure 34

- Click **Basic Profile** and select the desired **Server Connection** – COSEC CENTRA or COSEC VYOM, see **Figure 35**.

Figure 35

Readers	Mode	Configured Reader	Detected Reader
Internal - Card	Entry	EMF Prox Reader - Inactive	MIFare - U Reader
External - Card	Exit	None	None
External - BLE	Exit	None	None

- Click **Server Settings**.

For COSEC CENTRA

- Enter the **COSEC Server Address** and **Port** in **URL**, see **Figure 36**.
- Click the **Submit** button, the **Web Server URL** (Address) will be fetched automatically. If required change the URL and Directory Name as per your Server Settings.

Figure 36

MATRIX ARGO FACE Door

Settings

Server Settings - COSEC CENTRA

This will be used to communicate with Monitor Service

Connectivity Status ● via Ethernet

Encryption (SSL)

Configuration Basic Custom

URL * 192.168.103.88 11000

License Server

Connectivity Status ● Disconnected

License Dongle ● Unavailable

URL 192.168.50.100 15025

Web Server

Encryption (HTTP)

Interface Selection Auto Manual

Network Interface Ethernet

URL 192.168.103.88 80

Directory Name cosec

Request Retry Timer (min) 10

Submit Cancel Default

For COSEC VYOM

- Enter the **Tenant ID**, for example see **Figure 37**.
- Click the **Submit** button, the **Web Server URL** (Address) and **Directory Name** will be fetched automatically from the Server which cannot be modified, see **Figure 37**.

Figure 37

MATRIX ARGO FACE Door

Settings

Server Settings - COSEC VYOM

This will be used to communicate with Monitor Service

Connectivity Status ● via Ethernet

Encryption (SSL)

URL * device.matrixvyom.com 15025 191.168.11.135

Tenant ID * 2

Redirected Server 191.168.11.135 11009

Web Server

Encryption (HTTP)

Interface Selection Auto Manual

Network Interface Ethernet

URL device.matrixvyom.com 80 191.168.11.135

Directory Name cosec

Request Retry Timer (min) 10

Submit Cancel Default

Technical Specification	
Event Buffer	5,00,000
Input Power	12V DC @2A and PoE
Credential Support	Face, PIN, Card, BLE
Reader Power Output	Max 12V DC @0.250A
Reader Interface Type	RS 232 and Wiegand
Door Lock Relay	Max 30V DC @2A
Door Lock Power	POE Power: 12VDC@0.250A Adapter Power: 12VDC@1.0A
Built In PoE	PoE (IEEE 802.3 af)
Display	3.5 inch Capacitive IPS touch screen with Gorilla glass 3.0; Resolution: 480x320 pixels (HVGA)
User Capacity	50,000
Communication Port	Mobile Broadband, Ethernet and WiFi

Technical Specification		
Built In WiFi	Yes (IEEE 802.11 b/g/n)	
Built In Bluetooth	Yes	
Built In USB	Yes	
3G/4G/LTE	Yes (Additional USB Modem / Dongle)	
Operating Temperature	0 °C to +50 °C	
Dimensions (H x W x D)	186mm x 74mm x 50mm (Wall Mount) 186mm x 74mm x 16mm (Flush Mount)	
Weight	0.550 Kg (Product Only) 1.2 Kg (Product with Accessories)	
RF Option(Card)		
ARGO FACEE	ARGO FACEM	ARGO FACEI
EM Prox	MIFARE® / Desfire / NFC	HID I Class, HID Prox, EM Prox and Desfire/ NFC/ MIFARE®

FCC Compliance

This device complies with part 15 of the FCC rules. Operation is subject to the following two conditions:

1. This device may not cause harmful interference.
2. This device must accept any interference received, including interference that may cause undesired operation.

This equipment has been tested and found to comply with the limits of Class A digital device, pursuant to part 15 of the FCC Rules.

These limits are designed to provide reasonable protection against harmful interference when the equipment is operated in a commercial environment.

This equipment generates, uses and can radiate radio frequency energy and, if not installed and used in accordance with the instruction manual, may cause harmful interference to radio communications. Operation of this equipment in a residential area is likely to cause harmful interference in which case the user will be required to correct the interference at his own expense.

Warning

This is a Class A product. In a domestic environment this product may cause radio interference in which case the user may be required to take adequate measures.

FCC RF Radiation Exposure Statement:

1. This Transmitter must not be co-located or operating in conjunction with any other antenna or transmitter.
2. This equipment complies with RF radiation exposure limits set forth for an uncontrolled environment.
3. This equipment should be installed and operated with minimum distance 20cm between the radiator & your body.

Warning

Any changes or modifications not expressly approved by the party responsible for compliance could void the user's authority to operate the equipment.



Disposal Of Product After End-Of-Life

WEEE Directive 2002/96/EC

The product referred is covered by the waste Electrical and Electronic Equipment (WEEE) directive and must be disposed of in a responsible manner.

At the end of product life cycle; batteries, soldered boards, metal components and plastic components must be disposed through recyclers.

If you are unable to dispose-off the products or unable to locate e-waste recyclers, you may return the products to Matrix Return Material Authorization (RMA) department.

Copyright

All rights reserved. No part of this document may be copied or reproduced in any form or by any means without the prior written consent of Matrix Comsec.

Warranty

Limited Warranty. Valid only if primary protection is provided, mains supply is within limit and protected, and environment conditions are maintained within product specifications. Complete warranty statement is available on our website:

www.matrixaccesscontrol.com



MATRIX COMSEC PVT. LTD.

Head Office

394-GIDC, Makarpura, Vadodara, Gujarat, 390010, India

Ph: (+91)1800-258-7747

Email: Support@MatrixComSec.com

Website: www.matrixaccesscontrol.com