

1. Connect cables of VEGA controller and lead all the cables through the rectangular hole of the Mounting plate into the rectangular opening of BBUE.
2. Fix the Mounting Hook of the door by sliding down the back side of VEGA door into the Mounting Slots of mounting plate. See Figure7.
3. Insert the mounting screw attached on the mounting plate through the mounting screw hole at the bottom of the door. Then tighten the screws. See Figure7.

Mounting VEGA Door-BBUE unit on Wall

1. The complete assembly of VEGA Door and VEGA BBUE can be mounted on the back plate of BBUE which is mounted on the wall as shown in Figure3 and Figure4.
2. Fix the complete unit from the top into the two slots as shown in Figure8.

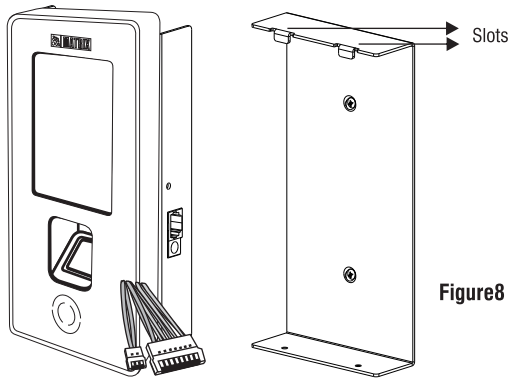


Figure8

3. Fix the 2 screws from bottom to fix complete unit and BBUE back plate. See Figure9.

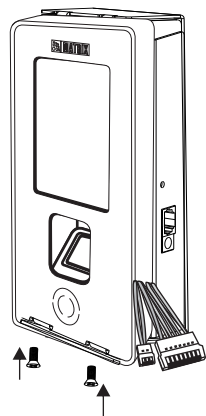


Figure9

CAUTION!

During installation/maintenance, ensure that the COSEC VEGA BBUE is in the OFF mode. Switch off the main supply prior to maintenance.

Technical Specification

Specification Parameters	VEGA BBUE
Input Power	12V DC @ 2A
LED	Charging and Battery Low Indication
Operating Temperature	0°C to 45°C

Battery Specification

Battery Type	3.7V Li-Ion 18650, Rechargeable
No. of Batteries	2
Battery Backup*	3 hours approx with two 3.7V 3000 mAh 18650 battery (varies with the battery current rating)

* The Battery backup duration depends on battery rating, battery manufacturer and the usage of VEGA Controller.

LED Indication

Battery Status	LED Indication
Battery Charging	Green Continuous
Battery Fully Charged	OFF
Low Battery	Red Continuous
Battery Absent	Green Blinking

Disposal of Product after End-Of-Life

WEEE Directive 2002/96/EC

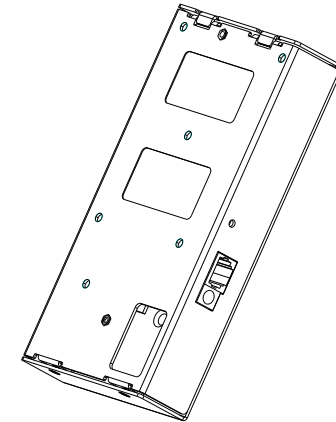
The product referred is covered by the waste Electrical and Electronic Equipment (WEEE) directive and must be disposed of in a responsible manner.

At the end of product life cycle; batteries, soldered boards, metal components and plastic components must be disposed through recyclers.

If you are unable to dispose-off the products or unable to locate e-waste recyclers, you may return the products to Matrix Return Material Authorization (RMA) department.

COSEC VEGA BBUE

Quick Installation Guide

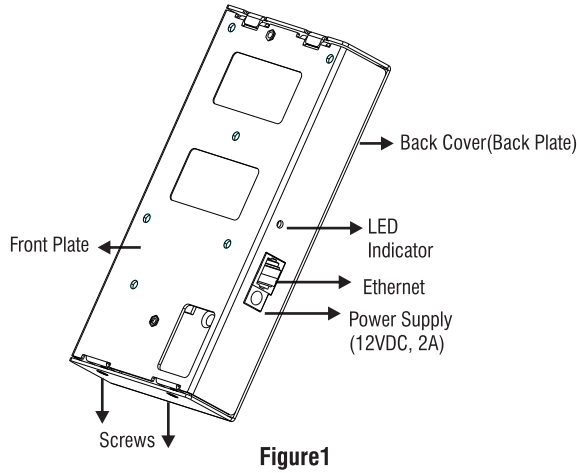


MATRIX COMSEC

Head Office
394-GIDC, Makarpura, Vadodara - 390010, India
Ph: 18002587747
Email: Support@MatrixComSec.com

Website: www.MatrixSecuSol.com

Know Your COSEC VEGA BBUE



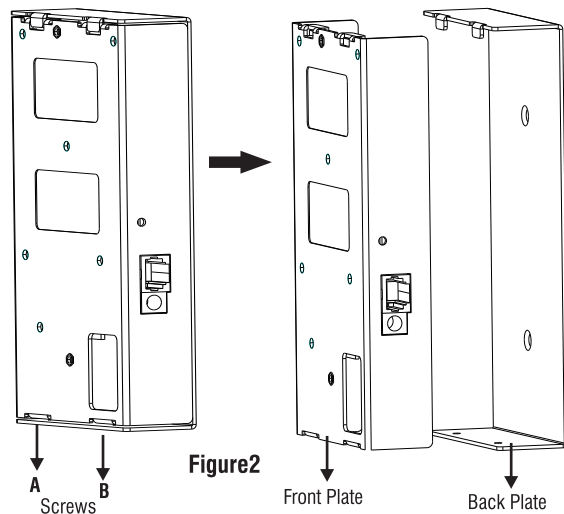
This product is designed for COSEC VEGA Product Series as battery backup unit.

Packaging Contents

1. COSEC VEGA BBUE Unit
2. Warranty Card

* The VEGA product and VEGA Mounting plate are not included in this package.

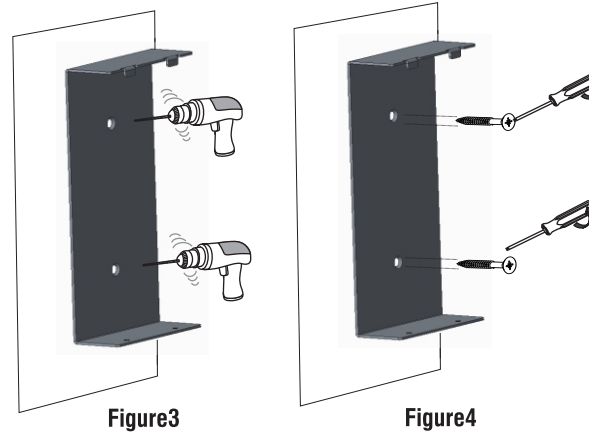
Opening COSEC Vega BBUE Unit



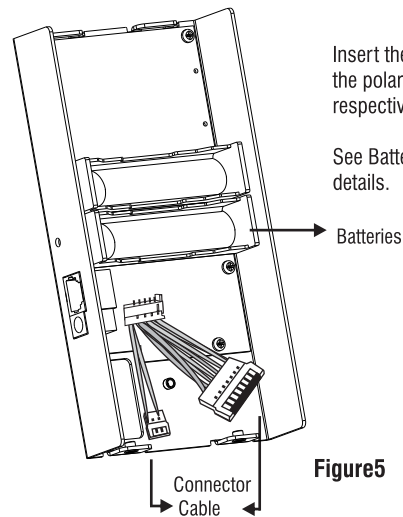
1. Remove the two screws A and B from the base of the device. See Figure2.
2. Pull the back cover outwards and then upwards from the base to remove it.

Wall Mounting of Back Plate

1. Place the Back Plate of VEGA BBUE on the Mounting Wall and trace out the screw holes along the holes on the Back plate.
2. Drill screw holes along the traced markings. See Figure3.
3. Fix the Back Plate of VEGA BBUE on the wall with 2 screws. See Figure4.



Inserting Battery

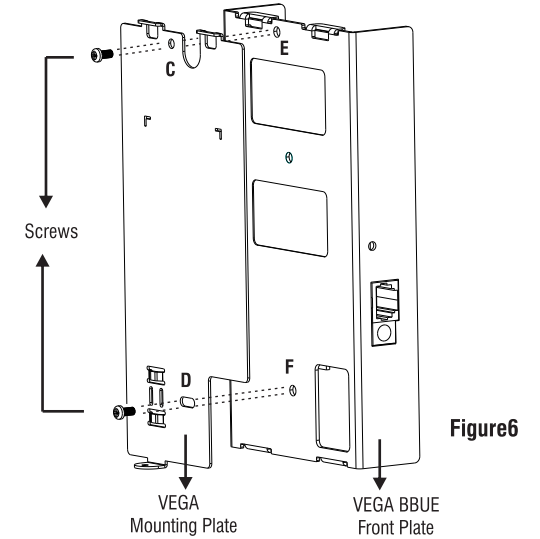


Insert the 2 batteries matching the polarity as indicated on the respective slots. See Figure5.

See Battery Specification for details.

Assembling VEGA Mounting Plate to BBUE Front Plate

1. Align Screw holes C & D on the VEGA Mounting Plate to holes E & F respectively on the front plate of VEGA BBUE. See Figure6.
2. Insert Screws and fix the VEGA mounting plate on front plate of BBUE as shown in Figure6.



Assembling VEGA Door to VEGA Mounting Plate

