

# SATATYA CIBR80FL28CWS

## 8MP IR Bullet Camera with 2.8mm Lens



**SATATYA CIBR80FL28CWS**  
8MP IR Bullet Camera with 2.8mm Lens

Matrix Project Series IP Cameras are built using superior components such as Sony STARVIS sensor and higher MTF lens to offer unmatched image quality especially during the low light conditions. Powered by True WDR algorithm, these cameras offer consistent image quality even in highly varying lighting conditions. Built in intelligent analytics including Intrusion Detection, Trip Wire, etc. ensure real-time security. Moreover, H.265 compression and Automatic Motion based Frame Rate Reduction save bandwidth and storage up to 50%.

### USP

-   
SONY STARVIS SENSOR
-   
H.265 COMPRESSION
-   
IVA
-   
HIGHER FIELD OF VIEW
-   
SMART STREAMING
-   
ADAPTIVE STREAMING
-   
TRUE WDR
-   
NAS

### CERTIFICATION



Customer Care: (+91) 265 613 7222

E-mail: [Inquiry@MatrixComSec.com](mailto:Inquiry@MatrixComSec.com)

[www.MatrixComsec.com](http://www.MatrixComsec.com)

Make in India

# SATATYA CIBR80FL28CWS

8MP IR Bullet Camera with 2.8mm Lens



| TECHNICAL SPECIFICATIONS |   |
|--------------------------|---|
| IMAGE SENSOR             |   |
| Resolution               | 8 MP (3840 x 2160)  |
| Sensor Type and Size     | 1/2.8" SONY - CMOS 8MP Active Pixel<br>Progressive Scan, Back Illuminated Image sensor (STARVIS Series)   |
| LENS                     |   |
| Minimum Illumination     | Color - 0.01 Lux @F1.2 (AGC ON)<br>Monochrome - 0 Lux   |
| Focal Length             | 2.8mm   |
| Focus Range              | 0.3m to infinity  |
| Field of View (FOV)      | HFOV – 106.9°<br>VFOV – 56.9°<br>DFOV – 127.9°  |
| Lens Mount               | M12   |
| Focus                    | Fixed focus   |
| Aperture (F#)            | F 1.6   |
| Iris Type                | Fixed   |
| IR Range                 | Up to 50m   |
| IR Led Wavelength        | 850nm   |
| IR Switching             | Auto/ Manual  |
| HARDWARE SPECIFICATIONS  |   |
| SD Card                  | Up to 512GB   |
| Camera Adjustment Angle  | Pan: 0° to 360°<br>Tilt: 0° to 90°<br>Rotate: 0° to 360°  |
| IMAGE AND VIDEO          |   |
| No of Stream Profiles    | 4   |
| Stream Profiles          | Profile 1: 4K @30fps (H.265/ H.264)<br>Profile 2: D1 @30fps (H.265/H.264)<br>Profile 3: 1080p(2MP)/720p/D1/2CIF/CIF up to 15 fps<br>(H.264/H.265/MJPEG)<br>Profile 4: 720p/D1/2CIF/CIF up to 15 fps (H.265/H.264/MJPEG) |
| Available Resolutions    | 3840 x 2160, 3200 x 1800, 2592 x 1944, 2592 x 1520, 2048 x 1536,<br>1920 x 1080, 720p, D1, VGA, 2CIF, CIF   |
| Max Resolution           | 3840 x 2160   |
| Bitrate                  | 128 kbps-16Mbps   |
| Bitrate Type             | CBR, VBR  |
| Video Compression        | H.265, H.264, MJPEG   |
| Frame Rate               | 1-30fps   |

# SATATYA CIBR80FL28CWS

8MP IR Bullet Camera with 2.8mm Lens



|                            |   |
|----------------------------|---|
| Shutter Speed              | 1/15s -1/100000s  |
| Adaptive Streaming         | Yes   |
| ONVIF Profiles             | S, G and T  |
| Edge Recording             | Yes   |
| Alarm Recording            | Pre and Post  |
| Motion Recording           | Yes   |
| Video Parameters           | Snapshot, Region of Interest (ROI), BLC, Day/Night Settings, Dynamic FPS  |
| Privacy Masks              | 8   |
| WDR                        | True WDR (120dB)  |
| SNR                        | >70dB   |
| Image Enhancement          | Saturation/ Contrast/ Sharpness/ Brightness/ Auto Exposure/ HVS-Forensics/ Smart IR   |
| DNR                        | 2D &3D  |
| Video Analytics            | Motion/No Motion Detection, Tamper Detection, Trip/No Trip Detection, Object Intrusion/Zone Intrusion   |
| <b>ALERTS</b>              |   |
| IP Conflict                | Yes   |
| Network Disconnect         | Yes   |
| Storage Full               | Yes   |
| Time Triggered             | Yes   |
| <b>EVENTS AND ACTIONS</b>  |   |
| Upload Image               | SD, NAS, SFTP   |
| Upload Clip                | SD, NAS, SFTP   |
| Notifications              | E-mail, SMS, TCP  |
| <b>PROTOCOLS SUPPORTED</b> |   |
| Supported protocols        | TCP/IP, HTTP, ARP, DSCP, QoS, DHCP, DNS, DDNS, RTP, RTCP, RTSP, PPPOE, SMTP, NTP, HTTPS, TLS/SSL, SFTP, ICMP, IGMP, UDP, 802.1x, SNMP, UPnP, Bonjour, UDP |
| Web Viewer                 | Supported in IE 8.0-11.0, Firefox 15.0-47.0, Chrome 20.0-54.0   |
| Browser                    | IE, Chrome, Mozilla   |
| <b>CYBER SECURITY</b>      |   |
| Secure boot                | Yes   |
| Signed firmware            | Yes   |
| Data Encryption            | All data, including sensitive data, is encrypted with AES 256 and RSA 2048  |
| IP Address Filtering       | Yes   |
| HTTPs Streaming            | Yes, using TLS 1.2  |

# SATATYA CIBR80FL28CWS

## 8MP IR Bullet Camera with 2.8mm Lens



|                                   |                                   |
|-----------------------------------|-----------------------------------|
| Edge Data Encryption              | Yes                               |
| Network Authentication            | Yes,802.1x Network authentication |
| Secure Firmware Upgrade           | Yes                               |
| Anti-roll back firmware           | Yes                               |
| Web login Password protection     | Yes                               |
| Unused debug interface protection | Yes                               |

### OPERATING PARAMETERS

|                       |                                   |
|-----------------------|-----------------------------------|
| Power Supply          | 12V (DC); 802.3af (PoE)           |
| Power Consumption     | Maximum 9W                        |
| Operating Humidity    | Less than 95% RH (non-condensing) |
| Operating Temperature | -30°C to 60°C                     |
| Storage Temperature   | -30°C to 60°C                     |

### PHYSICAL PARAMETERS

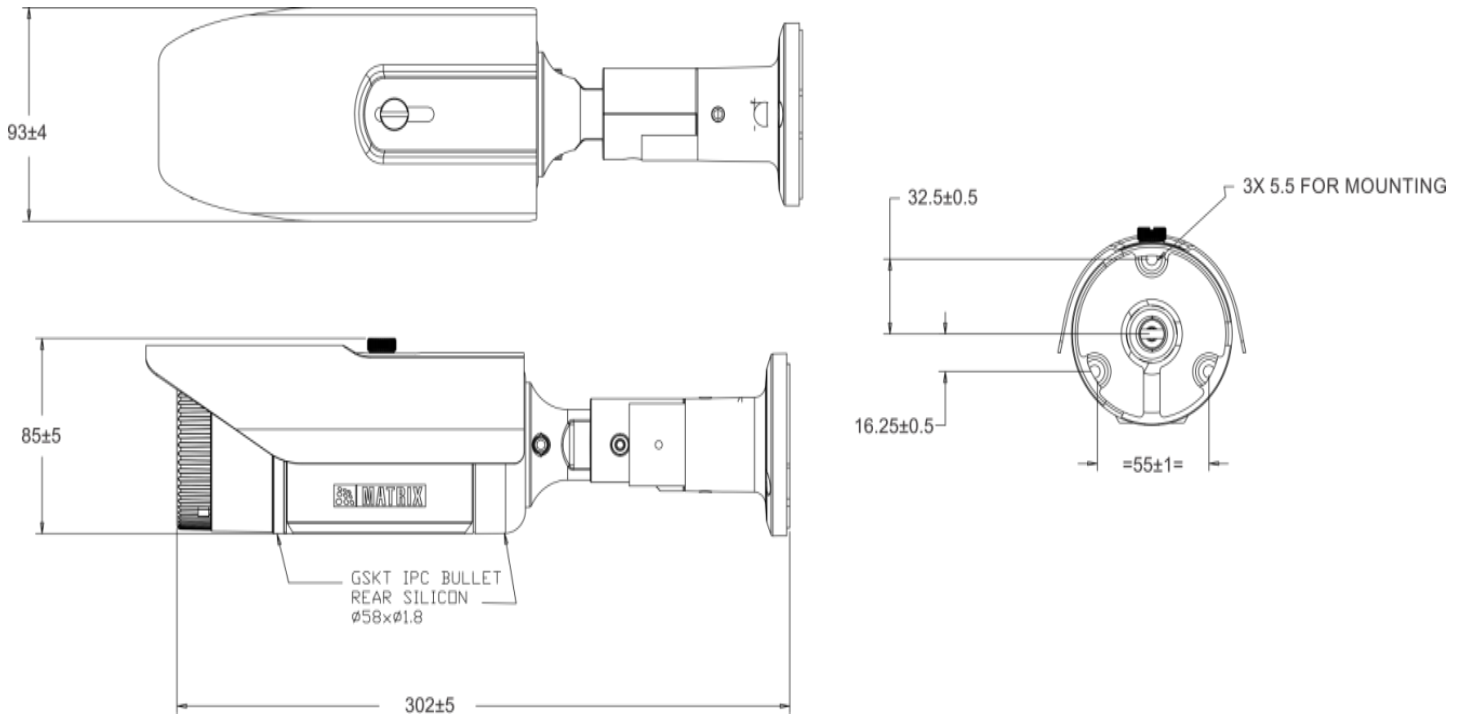
|                         |   |
|-------------------------|---|
| Communication interface | 10Base-T/100BaseTX Ethernet (RJ-45)   |
| Weight                  | 840gms  |
| Color                   | Infinity White  |
| Dimensions              | 302mm x 93mm x 85mm (Length x Width x Height)   |
| Storage                 | NAS, SD Card  |
| Certifications          | BIS, CE, IP67, FCC Part-15 Subpart – B, ONVIF S G & T, IK10, UL, NEMA 4X**, STQC Certified with OWASP ASVS 4.0 L2 |

*\*Specifications are subject to change without prior notice \*\* MTO*

# SATATYA CIBR80FL28CWS

8MP IR Bullet Camera with 2.8mm Lens

## DIMENSIONS (in mm)



# SATATYA CIBR80FL28CWS

## 8MP IR Bullet Camera with 2.8mm Lens



### ABOUT MATRIX

Established in 1991, Matrix is a leader in security and telecom solutions for modern businesses and enterprises. Matrix, an innovative, technology driven and customer focused organization, is committed to keep pace with the revolutions in security and telecom industries. With more than 40% of its human resources dedicated to the development of new products, Matrix has launched cutting-edge products such as Unified Communications, IP-PBX, Universal Gateways, Convergence, VOIP Gateways, GSM Gateways, IP Video Surveillance, Access Control and Time-Attendance. These solutions are feature-rich, reliable and conform to the international standards. Having global footprints in Europe, North America, South America, Africa and Asia through an extensive network of more than 1000 system integrators, Matrix ensures that the products serve the needs of its customers faster and longer. Matrix has gained trust and admiration of customers representing the entire spectrum of industries. Matrix has won many national and international awards for its innovative products.



### MATRIX COMSEC

Head Office

394-GIDC, Makarpura,

Vadodara – 390 010, India.

Ph: +91 265 613 7222

E-mail: [Inquiry@MatrixComSec.com](mailto:Inquiry@MatrixComSec.com)

Factory

19 – GIDC, Waghodia,

Dist. Vadodara – 391 760, India.

Ph: +91 265 613 7222

### MATRIX COMSEC – North America

2 Wickstead Crt,

Brampton,

Ontario, L6R 1N8.

Ph: (+1) 408-643-0581 (USA)

Ph: (+1) 437-266-1005 (Canada)

[www.MatrixComsec.com](http://www.MatrixComsec.com)