

SATATYA MITR20FL28CWS

2MP IR Turret Camera with 2.8mm Lens



SATATYA MITR20FL28CWS
2MP IR Turret Camera with 2.8mm Lens

Matrix introduces its new range of Turret series that are designed for modern enterprises. Turret Series cameras are a blend of aesthetics in a succinct design with superior video performance. Powered with Sony STARVIS sensor, they deliver crisp images in low-light conditions. With minimum glass exposure, issues like dust and fingerprints are eliminated. Likewise, these enterprise grade devices do not let you compromise on your resources due to the H.265 compression technique. Furthermore, the camera offers in-built video analytics like motion detection, intrusion detection, tamper detection, tripwire detection to aid you in proactively handling potential risks. Finally, backed by national and international certifications these devices guarantee maximum operating time without failure.

USP



SONY STARVIS
SENSOR



H.265
COMPRESSION



IVA



HIGHER FIELD
OF VIEW



SMART
STREAMING



ADAPTIVE
STREAMING



TRUE WDR



NAS

CERTIFICATION



SATATYA MITR20FL28CWS

2MP IR Turret Camera with 2.8mm Lens



| TECHNICAL SPECIFICATIONS | |
|--------------------------|---|
| IMAGE SENSOR | |
| Resolution | 2 MP (1920 x 1080) |
| Sensor Type and Size | 1/2.8" SONY - CMOS 2MP Active Pixel Progressive Scan, Back Illuminated Image sensor (STARVIS Series) |
| LENS | |
| Minimum Illumination | Color - 0.01 Lux @ F1.2 (AGC ON) Monochrome - 0 Lux |
| Focal Length | 2.8mm |
| Focus Range | 0.3m to infinity |
| Field of View (FOV) | HFOV – 106.9° VFOV – 56.9° DFOV – 127.9° |
| Lens Mount | M12 |
| Focus | Fixed focus |
| Aperture (F#) | F 1.6/ F2.6 |
| Iris Type | Fixed |
| IR Range | Up to 30m |
| IR Led Wavelength | 850nm |
| IR Switching | Auto/ Manual |
| HARDWARE SPECIFICATIONS | |
| Camera Adjustment Angle | Pan: 0° to 360° Tilt: 0° to 75° Rotate: 0° to 360° |
| IMAGE AND VIDEO | |
| No of Stream Profiles | 4 |
| Stream Profiles | Profile 1: 1920 x 1080p @30fps (H.265/H.264) Profile 2: D1 @30fps (H.265/H.264) Profile 3: 1920 x 1080p @5fps (MJPEG) Profile 4: 720p @30fps (H.265/H.264/MJPEG) |
| Available Resolutions | 1920 x 1080, 720p, D1, VGA, 2CIF, CIF |
| Max Resolution | 1920 x 1080 |
| Bitrate | 128 kbps-8Mbps |
| Bitrate Type | CBR, VBR |
| Video Compression | H.265, H.264, MJPEG |
| Frame Rate | 1-30fps |
| Shutter Speed | 1/15s -1/100000s |
| Adaptive Streaming | Yes |
| ONVIF Profiles | Profile S and G |
| Edge Recording | Yes (Only in NAS) |

SATATYA MITR20FL28CWS

2MP IR Turret Camera with 2.8mm Lens



| | |
|-----------------------------------|---|
| Alarm Recording | Pre and Post |
| Motion Recording | Yes |
| Video Parameters | Snapshot, Region of Interest (ROI), BLC, Day/Night Settings |
| Privacy Masks | 8 |
| WDR | True WDR (120dB) |
| SNR | >70dB |
| Image Enhancement | Saturation/ Contrast/ Sharpness/Brightness/Auto Exposure/ HVS Forensic |
| DNR | 2D &3D |
| Video Analytics | Motion Detection, No Motion Detection, Tamper Detection, Trip/No Trip Detection, Object Intrusion/Zone Intrusion |
| ALERTS | |
| IP Conflict | Yes |
| Network Disconnect | Yes |
| Storage Full | Yes |
| Time Triggered | Yes |
| EVENTS AND ACTIONS | |
| Upload Image | NAS, SFTP |
| Upload Clip | NAS, SFTP |
| Notifications | E-mail, SMS, TCP |
| PROTOCOLS SUPPORTED | |
| Supported protocols | TCP/IP, HTTP, ARP, QoS, DHCP, DNS, DDNS, RTP, RTCP, RTSP, PPPOE, SMTP, NTP, HTTPS, TLS/SSL, SFTP, ICMP, IGMP, 802.1x, SNMP, UPnP, Bonjour |
| Web Viewer | Supported in IE 8.0-11.0, Firefox 15.0-47.0, Chrome 20.0-54.0 |
| Browser | IE, Chrome, Mozilla |
| CYBER SECURITY | |
| Secure boot | Yes |
| Signed firmware | Yes |
| Data Encryption | All data, including sensitive data, is encrypted with AES 256 and RSA 2048 |
| IP Address Filtering | Yes |
| HTTPs Streaming | Yes, using TLS 1.2 |
| Edge Data Encryption | Yes |
| Network Authentication | Yes, 802.1x Network authentication |
| Secure Firmware Upgrade | Yes |
| Anti-roll back firmware | Yes |
| Web login Password Protection | Yes |
| Unused Debug Interface Protection | Yes |
| OPERATING PARAMETERS | |

SATATYA MITR20FL28CWS

2MP IR Turret Camera with 2.8mm Lens



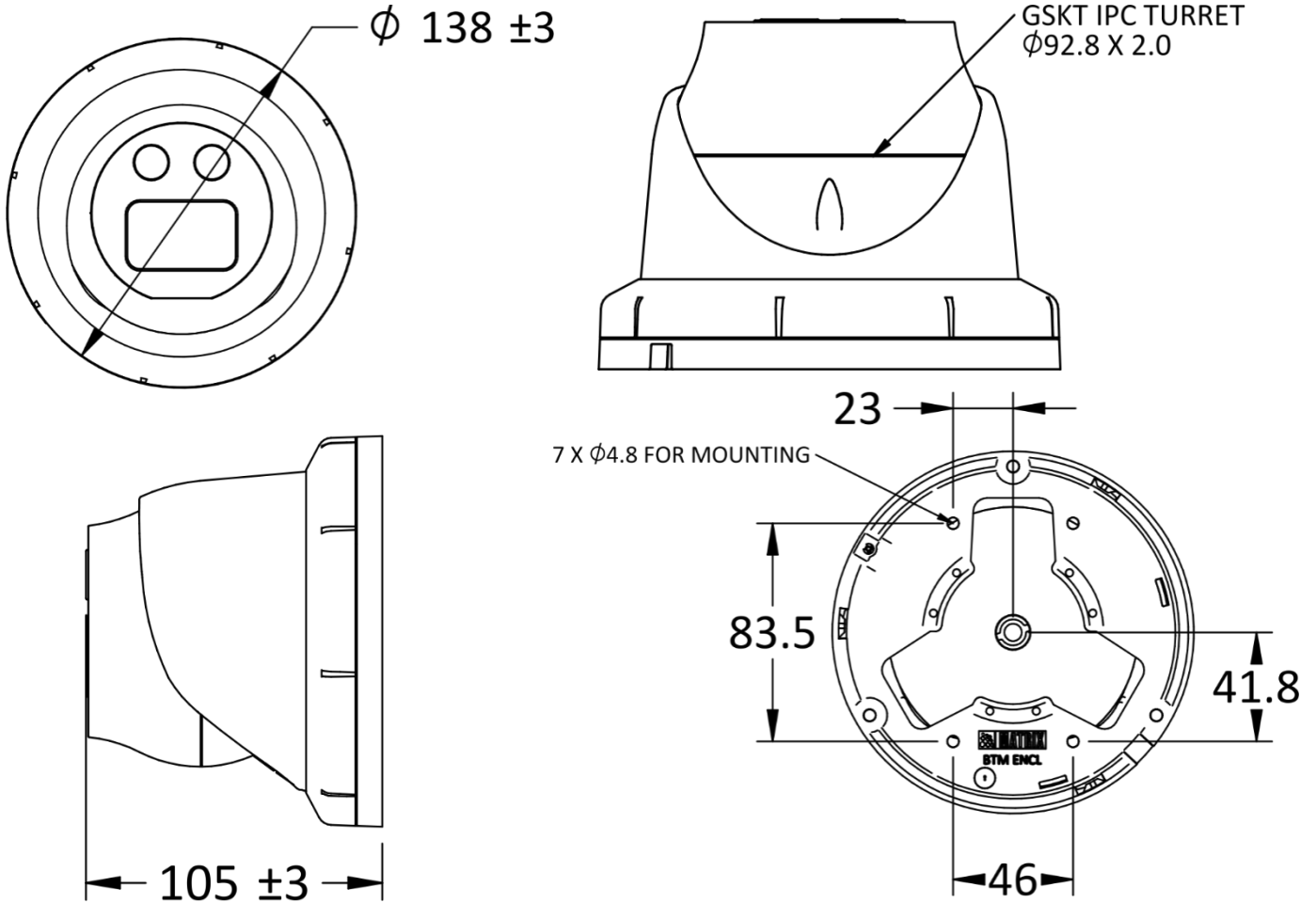
| | |
|----------------------------|--|
| Power Supply | 802.3af (PoE) |
| Power Consumption | Maximum 5W |
| Operating Humidity | Less than 95% RH (non-condensing) |
| Operating Temperature | -30°C to 60°C |
| Storage Temperature | -35°C to 60°C |
| PHYSICAL PARAMETERS | |
| Communication interface | 10Base-T/100BaseTX Ethernet (RJ-45) |
| Weight | 0.72kg |
| Color | Infinity White |
| Dimensions | 138.58mm x 118.97mm (Diameter x Height) |
| Certifications | BIS, CE, IP67, FCC Part-15 Subpart - B, ONVIF S & G, STQC Certified with OWASP ASVS 4.0 L2 |

Specifications are subject to change without prior notice

SATATYA MITR20FL28CWS

2MP IR Turret Camera with 2.8mm Lens

DIMENSIONS (in mm)



SATATYA MITR20FL28CWS

2MP IR Turret Camera with 2.8mm Lens



ABOUT MATRIX

Established in 1991, Matrix is a leader in security and telecom solutions for modern businesses and enterprises. Matrix, an innovative, technology driven and customer focused organization, is committed to keep pace with the revolutions in security and telecom industries. With more than 40% of its human resources dedicated to the development of new products, Matrix has launched cutting-edge products such as Unified Communications, IP-PBX, Universal Gateways, Convergence, VOIP Gateways, GSM Gateways, IP Video Surveillance, Access Control and Time-Attendance. These solutions are feature-rich, reliable and conform to the international standards. Having global footprints in Europe, North America, South America, Africa and Asia through an extensive network of more than 1000 system integrators, Matrix ensures that the products serve the needs of its customers faster and longer. Matrix has gained trust and admiration of customers representing the entire spectrum of industries. Matrix has won many national and international awards for its innovative products.



MATRIX COMSEC

Head Office

394 – GIDC,

Makarpura, Vadodara

– 390 010, India.

Ph: +91 265 613 7222

Email: Inquiry@MatrixComSec.com

Factory

19 – GIDC, Waghodia,

Dist. Vadodara – 391 760, India.

Ph: +91 265 613 7222

MATRIX COMSEC – North America

2 Wickstead

Crt,

Brampton,

Ontario – L6R 1N8.

Ph: (+1) 408-643-0581 (USA)

Ph: (+1) 437-266-1005 (Canada)

www.MatrixComSec.com