

SATATYA CIDR80ML12CWP P2

8MP IR Dome Camera with 2.8-12mm Motorized Varifocal Lens



SATATYA CIDR80ML12CWP P2
8MP IR Dome Camera with 2.8-12mm
Motorized Varifocal Lens

Matrix Project Series IP Cameras utilize top-notch components like the Sony STARVIS sensor and high MTF lens to deliver exceptional image quality, particularly in low-light scenarios. With the True WDR algorithm, they maintain consistent image quality in changing lighting conditions. These cameras feature intelligent analytics, including Intrusion Detection and Trip Wire, for real-time security. Additionally, H.265 compression and Automatic Motion-based Frame Rate Reduction efficiently conserve bandwidth and storage, reducing it by up to 50%.

USP



SONY STARVIS SENSOR



H.265 COMPRESSION



IVA



HIGHER FIELD OF VIEW



SMART STREAMING



ADAPTIVE STREAMING



TRUE WDR



NAS

CERTIFICATION



SATATYA CIDR80ML12CWP P2

8MP IR Dome Camera with 2.8-12mm Motorized Varifocal Lens



TECHNICAL SPECIFICATIONS

IMAGE SENSOR

Resolution	8 MP (3840 x 2160)
Sensor Type and Size	1/2.8" SONY – CMOS 8MP Active Pixel Progressive Scan, Back Illuminated Image sensor (STARVIS Series)

LENS

Minimum Illumination	Color - 0.01 Lux @ F1.2 (AGC ON) Monochrome - 0 Lux
Focal Length	2.8mm – 12mm
Focus Range	0.3m to infinity
Field of View (FOV)	HFOV – 108.1 – 30.3° VFOV – 56.3 – 17.1° DFOV – 130.9 – 34.8°
Lens Mount	M14
Focus	Automatic focus
Aperture (F#)	F 1.6 – F3.2
Iris Type	Motorized Varifocal Iris
IR Range	Up to 50m
IR Led Wavelength	850nm
IR Switching	Auto/ Manual

AUDIO INTERFACE

Audio IN & Audio OUT	1/1
Two-way Audio	Supported
Audio Compression	G.726 and G.711μ
Alarm IN & Alarm OUT	1/1

HARDWARE SPECIFICATIONS

SD Card	Up to 512GB
Camera Adjustment Angle	Pan: 0° to 330° Tilt: 0° to 75° Rotate: 0° to 180°

IMAGE AND VIDEO

No of Stream Profiles	4
Stream Profiles	Profile 1: 4K @30fps (H.265/H.264) Profile 2: D1 @30fps (H.265/H.264) Profile 3: 1080p(2MP)/720p/D1/2CIF/CIF up to 15 fps (H.264/H.265/MJPEG) Profile 4: 720p/D1/2CIF/CIF up to 15 fps (H.265/H.264/MJPEG)
Available Resolutions	3840*2160,2688*1944,2688*1520, 1920*1080, 720p, D1, VGA

SATATYA CIDR80ML12CWP P2

8MP IR Dome Camera with 2.8-12mm Motorized Varifocal Lens



Max Resolution	3840 x 2160
Bitrate	128 kbps-16Mbps
Bitrate Type	CBR, VBR
Video Compression	H.265, H.264, MJPEG
Frame Rate	1-30fps
Shutter Speed	1/15s -1/100000s
Adaptive Streaming	Yes
ONVIF Profiles	S, G and T
Edge Recording	Yes
Alarm Recording	Pre and Post
Motion Recording	Yes
Video Parameters	Snapshot, Region of Interest (ROI), BLC, Day/Night Settings, Dynamic FPS
Privacy Masks	8
WDR	True WDR (120dB)
SNR	>70dB
Image Enhancement	Saturation/ Contrast/ Sharpness/Brightness/Auto Exposure/HVS – Forensics/ Smart IR
DNR	2D &3D
Video Analytics	Motion Detection, Tamper Detection, Trip/No TripDetection, Object Intrusion/Zone Intrusion, Audio Exception, Missing Object Detection, Loitering, Object Counting, Alarm In
ALERTS	
IP Conflict	Yes
Network Disconnect	Yes
Storage Full	Yes
Time Triggered	Yes
EVENTS AND ACTIONS	
Upload Image	SD, NAS, SFTP
Upload Clip	SD, NAS, SFTP
Notifications	E-mail, SMS, TCP
PROTOCOLS SUPPORTED	
Supported protocols	TCP/IP, HTTP, ARP, DSCP, QoS, DHCP, DNS, DDNS, RTP, RTCP, RTSP, PPPOE, SMTP, NTP, HTTPS, TLS/SSL, SFTP, ICMP, IGMP, UDP, 802.1x, SNMP, UPnP, Bonjour, UDP
Web Viewer	Supported in IE 8.0-11.0, Firefox 15.0-47.0, Chrome 20.0-54.0
Browser	IE, Chrome, Mozilla

SATATYA CIDR80ML12CWP P2

8MP IR Dome Camera with 2.8-12mm Motorized Varifocal Lens



CYBER SECURITY

Secure boot	Yes
Signed firmware	Yes
Data Encryption	All data, including sensitive data, is encrypted with AES 256 and RSA 2048
IP Address Filtering	Yes
HTTPs Streaming	Yes, using TLS 1.2
Edge Data Encryption	Yes
Network Authentication	Yes, 802.1x Network authentication
Secure Firmware Upgrade	Yes
Anti-roll back firmware	Yes
Web login Password protection	Yes
Unused debug interface protection	Yes

OPERATING PARAMETERS

Power Supply	12V (DC); 802.3af (PoE)
Power Consumption	Maximum 9W
Operating Humidity	Less than 95% RH (non-condensing)
Operating Temperature	-30°C to 60°C
Storage Temperature	-30°C to 60°C

PHYSICAL PARAMETERS

Communication interface	10Base-T/100BaseTX Ethernet (RJ-45)
Weight	1.41kg
Color	Infinity White
Dimensions	Φ158mm x 134mm
Storage	NAS, SD Card
Certifications	BIS, CE, IP67, FCC Part-15 Subpart – B, ONVIF S G & T, IK10, UL, NEMA 4X**, STQC Certified with OWASP ASVS 4.0 L2

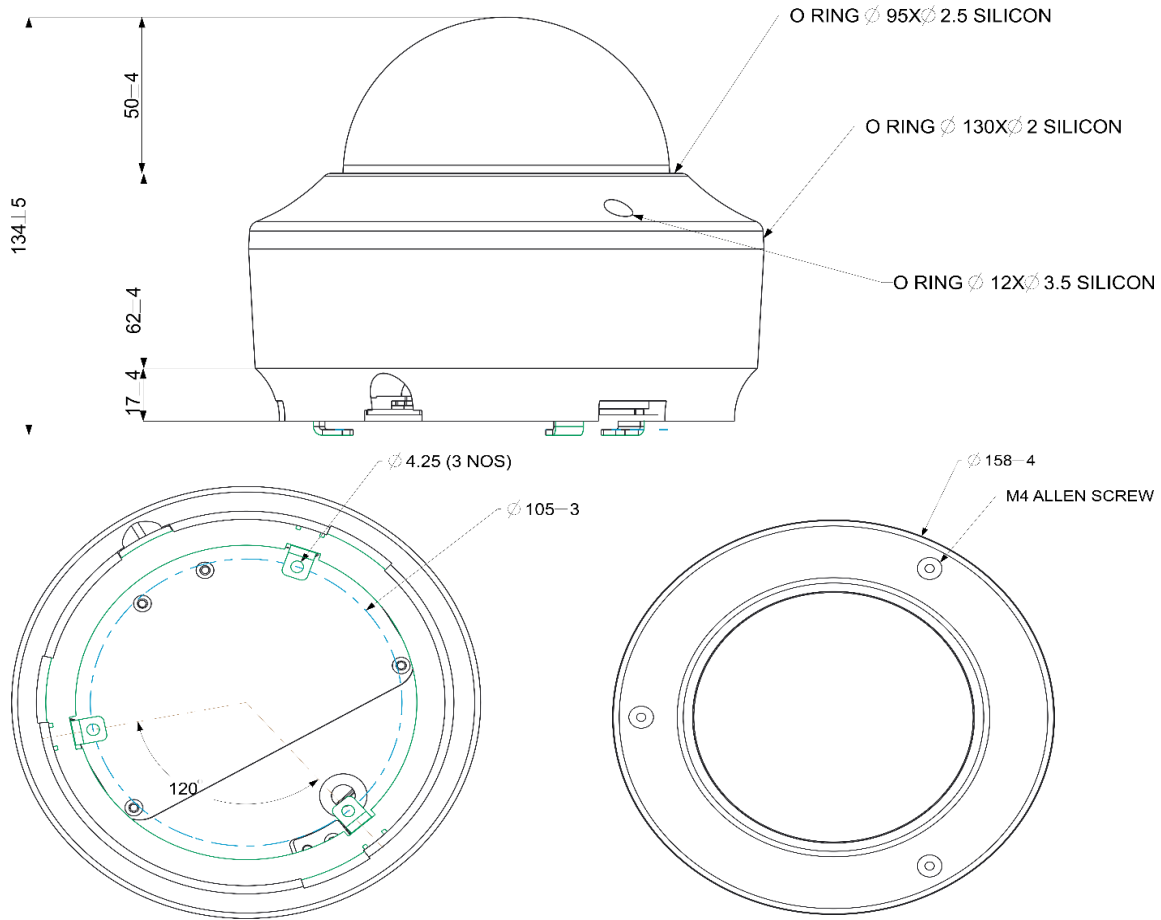
***Specifications are subject to change without prior notice**MTO*

SATATYA CIDR80ML12CWP P2

8MP IR Dome Camera with 2.8-12mm Motorized Varifocal Lens



DIMENSIONS (in mm)



SATATYA CIDR80ML12CWP P2

8MP IR Dome Camera with 2.8-12mm Motorized Varifocal Lens



ABOUT MATRIX

Founded in 1991, Matrix stands as a pioneer in security and telecom solutions for modern enterprises. Committed to innovation and customer satisfaction, we allocate over 40% of our workforce to developing cutting-edge products. Our offerings, including Unified Communications, IP-PBX, Universal Gateways, and more, are reliable and conform to global standards. With a vast network of over 1000 system integrators across Europe, North America, South America, Africa, and Asia, we ensure swift and enduring support for our customers. Matrix has earned accolades, both nationally and internationally, for its innovative product range, trusted by a diverse array of industries.

MATRIX COMSEC

Head Office

394 – GIDC,

Makarpura,

Vadodara –

390 010, India.

Ph: +91 265 613 7222

E-mail: Inquiry@MatrixComSec.com

Factory

19 – GIDC, Waghodia,

Dist. Vadodara – 391 760, India.

Ph: +91 265 613 7222

MATRIX COMSEC – North America

2

Wicks

tead

Crt,

Bram

pton,

Ontario – L6R 1N8.

Ph: (+1) 408-643-0581 (USA)

Ph: (+1) 437-266-1005 (Canada)

www.MatrixComsec.com