

# SATATYA CIDR20FL60CWP

2MP IR Dome Camera with 6mm Lens with Audio



**SATATYA CIDR20FL60CWP**  
2MP IR Dome Camera with 6mm Lens  
with Audio

Matrix Project Series Dome IP Cameras are built using superior components such as Sony STARVIS sensor and high MTF lens to offer unmatched image quality especially during the low light conditions. Powered by True WDR algorithm, these cameras offer consistent image quality even in highly varying light conditions. Built in intelligent analytics including Motion Detection, Intrusion Detection, Trip Wire, etc. ensure real-time security. Moreover, H.265 compression and Automatic Motion based Frame Rate Reduction save bandwidth and storage up to 50%.

## USP



SONY STARVIS  
SENSOR



H.265  
COMPRESSION



IVA



HIGHER FIELD  
OF VIEW



SMART  
STREAMING



ADAPTIVE  
STREAMING



TRUE WDR



NAS

## CERTIFICATION



Customer Care: (+91) 265 613 7222

E-mail: [Inquiry@MatrixComSec.com](mailto:Inquiry@MatrixComSec.com)

[www.MatrixVideoSurveillance.com](http://www.MatrixVideoSurveillance.com)

Make in India

# SATATYA CIDR20FL60CWP

2MP IR Dome Camera with 6mm Lens with Audio



## TECHNICAL SPECIFICATIONS

### IMAGE SENSOR

Resolution	2 MP (1920 x 1080)
Sensor Type and Size	1/2.8" SONY - CMOS 2MP Active Pixel Progressive Scan, Back Illuminated Image sensor (STARVIS Series)

### LENS

Minimum Illumination	Color - 0.01 Lux @ F1.2 (AGC ON) Monochrome - 0 Lux
Focal Length	6mm
Focus Range	0.3m to infinity
Field of View (FOV)	HFOV – 54° VFOV – 29.03° DFOV – 62.96°
Lens Mount	M12
Focus	Fixed focus
Aperture (F#)	F 1.6 / F 2.0
Iris Type	Fixed
IR Range	Up to 50m
IR Led Wavelength	850nm
IR Switching	Auto/ Manual

### AUDIO INTERFACE

Audio IN	1
Audio OUT	1
Two-way Audio	Supported
Audio Compression	G.726 and G.711μ
Alarm In	Yes
Alarm Out	Yes

### HARDWARE SPECIFICATIONS

SD Card	Up to 512GB
Camera Adjustment Angle	Pan - 0° to 330° Tilt - 0° to 75° Rotate - 0° to 180°

### IMAGE AND VIDEO

No of Stream Profiles	4
Stream Profiles	Profile 1: 1920 x 1080p @30fps (H.265/H.264) Profile 2: D1 @30fps (H.265/H.264) Profile 3: 1920 x 1080p @5fps (MJPEG) Profile 4: 720p @30fps (H.265/H.264/MJPEG)

# SATATYA CIDR20FL60CWP

2MP IR Dome Camera with 6mm Lens with Audio



Available Resolutions	1920 x 1080, 720p, D1, VGA, 2CIF, CIF, QCIF
Max Resolution	1920 x 1080
Bitrate	128 kbps-8Mbps
Bitrate Type	CBR, VBR
Video Compression	H.265, H.264, MJPEG
Frame Rate	1-30fps
Shutter Speed	1/15s -1/100000s
Adaptive Streaming	Yes
ONVIF Profiles	Profile S and G
Edge Recording	Yes
Alarm Recording	Pre and Post
Motion Recording	Yes
Time Triggered	Yes
Video Parameters	Snapshot, Region of Interest (ROI), BLC, Day/Night Settings
Privacy Masks	3
WDR	True WDR (120dB)
SNR	71dB
Image Enhancement	Saturation/ Contrast/ Sharpness/Brightness/Auto Exposure/HVS-Forensics/ Smart IR
DNR	2D &3D
Video Analytics	Motion Detection, Tamper Detection, Trip/No Trip Detection, Object Intrusion/Zone Intrusion, Audio Exception
<b>ALERTS</b>	
IP Conflict	Yes
Network Disconnect	Yes
Storage Full	Yes
<b>EVENTS AND ACTIONS</b>	
Upload Image	SD, NAS, FTP
Upload Clip	SD, NAS, FTP
Notifications	E-mail, SMS, TCP
<b>PROTOCOLS SUPPORTED</b>	
Supported protocols	TCP/IP, HTTP, HTTPS, DSCP, QoS, DHCP, DNS, DDNS, RTP, RTCP, RTSP, PPPOE, SMTP, NTP, TLS/SSL, FTP, ICMP, IGMP, ARP, UDP, 802.1x, SNMP, UPnP, Bonjour, UDP
Web Viewer	Supported in IE 8.0-11.0, Firefox 15.0-47.0, Chrome 20.0-54.0
Browser	IE, Chrome, Mozilla

# SATATYA CIDR20FL60CWP

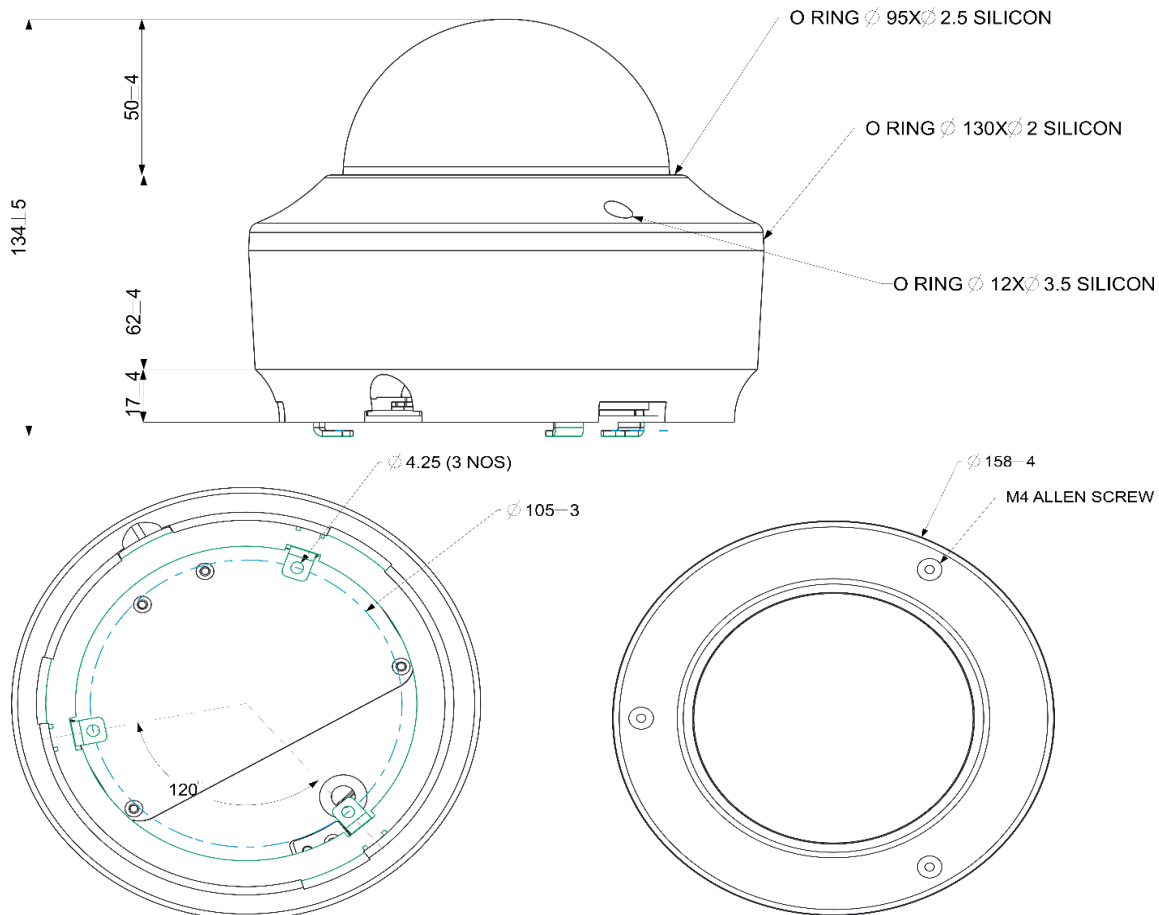
2MP IR Dome Camera with 6mm Lens with Audio



OPERATING PARAMETERS	
Power Supply	12V (DC); 802.3af (PoE)
Power Consumption	Approximately 7W
Operating Humidity	Less than 95% RH (non-condensing)
Operating Temperature	-30°C to 60°C
Storage Temperature	-30°C to 60°C
PHYSICAL PARAMETERS	
Communication interface	10Base-T/100BaseTX Ethernet (RJ-45)
Weight	1.41kg
Color	Infinity White
Dimensions	Φ158mm x 134mm
Storage	NAS, SD Card
Certifications	BIS, CE, IP67, FCC Part-15 Subpart - B, ONVIF S & G, IK10, UL, NEMA 4X

*\*Specifications are subject to change without prior notice\**

## DIMENSIONS (in mm)



# SATATYA CIDR20FL60CWP

## 2MP IR Dome Camera with 6mm Lens with Audio



### ABOUT MATRIX

Established in 1991, Matrix is a leader in security and telecom solutions for modern businesses and enterprises. Matrix, an innovative, technology driven and customer focused organization, is committed to keep pace with the revolutions in security and telecom industries. With more than 40% of its human resources dedicated to the development of new products, Matrix has launched cutting-edge products such as Unified Communications, IP-PBX, Universal Gateways, Convergence, VOIP Gateways, GSM Gateways, IP Video Surveillance, Access Control and Time-Attendance. These solutions are feature-rich, reliable and conform to the international standards. Having global footprints in Europe, North America, South America, Africa and Asia through an extensive network of more than 1000 system integrators, Matrix ensures that the products serve the needs of its customers faster and longer. Matrix has gained trust and admiration of customers representing the entire spectrum of industries. Matrix has won many national and international awards for its innovative products.



### MATRIX COMSEC

Head Office

394 – GIDC, Makarpura,

Vadodara – 390 010,

India.

Ph: +91 265 613 7222

E-mail: [Inquiry@MatrixComSec.com](mailto:Inquiry@MatrixComSec.com)

Factory

19 – GIDC, Waghodia,

Dist. Vadodara – 391 760, India.

Ph: +91 265 613 7222

### MATRIX COMSEC – North America

2 Wickstead

Crt, Brampton,

Ontario – L6R 1N8.

Ph: (+1) 408-643-0581 (USA)

Ph: (+1) 437-266-1005 (Canada)

[www.MatrixVideoSurveillance.com](http://www.MatrixVideoSurveillance.com)