

SATATYA CIDR20FL28CWP

2MP IR Dome Camera with 2.8mm Lens with Audio



SATATYA CIDR20FL28CWP

2MP IR Dome Camera with 2.8mm Lens with Audio

Matrix Project Series Dome IP Cameras are built using superior components such as Sony STARVIS sensor and high MTF lens to offer unmatched image quality especially during the low light conditions. Powered by True WDR algorithm, these cameras offer consistent image quality even in highly varying light conditions. Built in intelligent analytics including Motion Detection, Intrusion Detection, Trip Wire, etc. ensure real-time security. Moreover, H.265 compression and Automatic Motion based Frame Rate Reduction save bandwidth and storage up to 50%.

USP



SONY STARVIS SENSOR



H.265 COMPRESSION



IVA



HIGHER FIELD OF VIEW



SMART STREAMING



ADAPTIVE STREAMING



TRUE WDR



NAS

CERTIFICATION



SATATYA CIDR20FL28CWP

2MP IR Dome Camera with 2.8mm Lens with Audio



TECHNICAL SPECIFICATIONS

IMAGE SENSOR

| | |
|----------------------|------------------------------------------------------------------------------------------------------------------|
| Resolution | 2 MP (1937 x 1080) |
| Sensor Type and Size | 1/2.8" SONY - CMOS 2.12MP Active Pixel Progressive Scan RGB CMOS, Back-Illuminated Image sensor (STARVIS Series) |
| Spectral Response | 400-1000nm |

LENS

| | |
|----------------------|------------------------------------------------------|
| Minimum Illumination | Color - 0.01 Lux @ F1.2 (AGC ON); Monochrome - 0 Lux |
| Focal Length | 2.8mm |
| Focus Range | 0.3m to infinity |
| Field of View (FOV) | HFOV – 106.9° VFOV – 56.9° DFOV – 127.9° |
| Lens Type/Lens Mount | IR corrected aspherical lens; M12 |
| Focus | Fixed focus |
| Aperture (F#) | F 1.6/ F 2.0 |
| Iris Type | Fixed |
| IR Range | Up to 50m |
| IR Led Wavelength | 850nm |
| IR Switching | Auto/ Manual |

AUDIO INTERFACE

| | |
|-------------------|------------------------------|
| Audio IN | 1 |
| Audio OUT | 1 |
| Two-way Audio | Supported |
| Audio Compression | G.726 ,G.711 a-law and u-law |
| Alarm In | Yes |
| Alarm Out | Yes |

HARDWARE SPECIFICATIONS

| | |
|-------------------------|---------------------------------------------------------|
| SD Card | Up to 512GB |
| Camera Adjustment Angle | Pan - 0° to 330°, Tilt - 0° to 75°, Rotate - 0° to 180° |

IMAGE AND VIDEO

| | |
|-----------------------|-------------------------------------------------------------------------------------------------------------------------------------------------------------------------------------------------------------------------------|
| No of Stream Profiles | 4 |
| Stream Profiles | Profile 1: 1920 x 1080p @30fps (H.265/H.264) Profile 2: D1 @30fps (H.265/H.264) Profile 3: 1080p(2MP)/720p/D1/2CIF/CIF up to 15 fps (H.264/H.265/MJPEG) Profile 4: 720p/D1/2CIF/CIF up to 15 fps (H.265/H.264/MJPEG) |

SATATYA CIDR20FL28CWP

2MP IR Dome Camera with 2.8mm Lens with Audio



| | |
|----------------------------|-----------------------------------------------------------------------------------------------------------------------------------------------------------|
| Available Resolutions | 1920 x 1080, 720p, D1,2CIF, CIF, VGA |
| Max Resolution | 1920 x 1080 |
| Bitrate | 128 kbps-8Mbps |
| Bitrate Type | CBR, VBR |
| Video Compression | H.265, H.264, MJPEG |
| Frame Rate | 1-30fps |
| Shutter Speed/Shutter Type | 1/15s -1/100000s; Electronic Rolling Shutter |
| Adaptive Streaming | Yes |
| ONVIF Profiles | Profile S and G |
| Edge Recording | Yes |
| Alarm Recording | Pre and Post |
| Motion Recording | Yes |
| Time-Triggered | Yes |
| Video Parameters | Snapshot, Region of Interest (ROI), BLC, Day/Night Settings |
| Privacy Masks | 3 |
| WDR | True WDR (120dB) |
| SNR | 71dB |
| Image Enhancement | Saturation/ Contrast/ Sharpness/Brightness/Auto Exposure/HVS-Forensics/ Smart IR |
| DNR | 2D &3D |
| Video Analytics | Motion Detection, Tamper Detection, Trip/No TripDetection (3 Lines), Object Intrusion/Zone Intrusion (3 Zones), Audio Exception |
| ALERTS | |
| IP Conflict | Yes |
| Network Disconnect | Yes |
| Storage Full | Yes |
| EVENTS AND ACTIONS | |
| Upload Image | SD, NAS, SFTP |
| Upload Clip | SD, NAS, SFTP |
| Notifications | E-mail, SMS, TCP |
| PROTOCOLS SUPPORTED | |
| Supported protocols | TCP/IP, HTTP, HTTPS, DSCP, QoS, DHCP, DNS, DDNS, RTP, RTCP, RTSP, PPPOE, SMTP, NTP, TLS/SSL, SFTP, ICMP, IGMP, ARP, UDP, 802.1x, SNMP, UPnP, Bonjour, UDP |
| Web Viewer | Supported in IE 8.0-11.0, Firefox 15.0-47.0, Chrome 20.0-54.0 |
| Browser | IE, Chrome, Mozilla |

SATATYA CIDR20FL28CWP

2MP IR Dome Camera with 2.8mm Lens with Audio



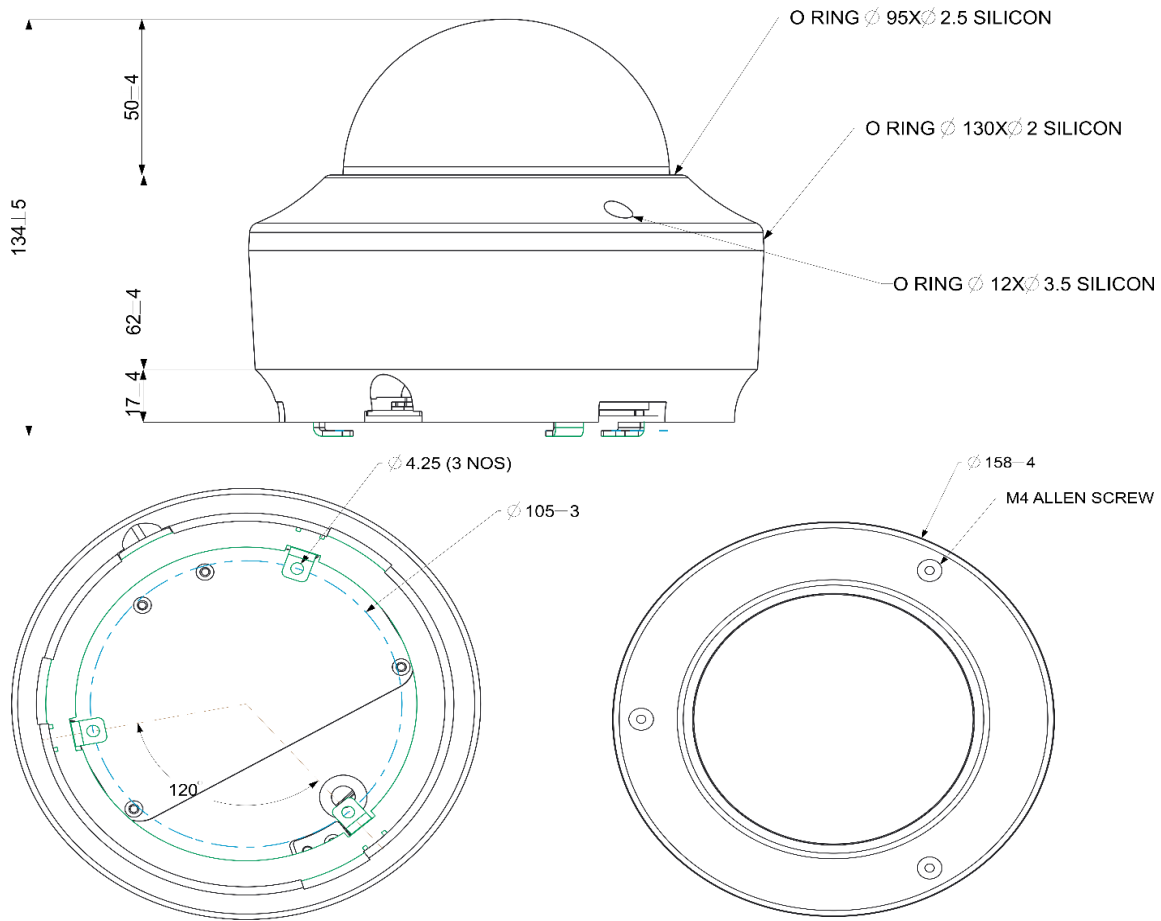
| CYBER SECURE | |
|------------------------------------|-------------------------------------------------------------------------------------------------------------------|
| Secure boot | Yes |
| Signed firmware | Yes |
| Data Encryption | All data, including sensitive data, is encrypted with AES 256 and RSA 2048 |
| IP Address Filtering | Yes |
| HTTPs Streaming | Yes, using TLS 1.2 |
| Edge Data Encryption | Yes |
| Network Authentication | Yes, 802.1x Network authentication |
| Secure Firmware Upgrade | Yes |
| Anti-roll back firmware | Yes |
| Web login Password protection | Yes |
| Unused debug interface protection | Yes |
| TEE(Trusted Execution Environment) | Yes |
| OPERATING PARAMETERS | |
| Power Supply | 12V (DC); 802.3af (PoE) |
| Power Consumption | Approximately 7W |
| Operating Humidity | Less than 95% RH (non-condensing) |
| Operating Temperature | -30°C to 60°C |
| Storage Temperature | -30°C to 60°C |
| PHYSICAL PARAMETERS | |
| Communication interface | 10Base-T/100BaseTX Ethernet (RJ-45) |
| Weight | 1.41kg |
| Color | Infinity White |
| Dimensions | Φ158mm x 134mm |
| Storage | NAS, SD Card |
| Certifications | BIS, CE, IP67, FCC Part-15 Subpart – B, ONVIF S G & T, IK10, UL, NEMA 4X**, STQC Certified with OWASP ASVS 4.0 L2 |

*Specifications are subject to change without prior notice **MTO

SATATYA CIDR20FL28CWP

2MP IR Dome Camera with 2.8mm Lens with Audio

DIMENSIONS (in mm)



SATATYA CIDR20FL28CWP

2MP IR Dome Camera with 2.8mm Lens with Audio



ABOUT MATRIX

Established in 1991, Matrix is a leader in security and telecom solutions for modern businesses and enterprises. Matrix, an innovative, technology driven and customer focused organization, is committed to keep pace with the revolutions in security and telecom industries. With more than 40% of its human resources dedicated to the development of new products, Matrix has launched cutting-edge products such as Unified Communications, IP-PBX, Universal Gateways, Convergence, VOIP Gateways, GSM Gateways, IP Video Surveillance, Access Control and Time-Attendance. These solutions are feature-rich, reliable and conform to the international standards. Having global footprints in Europe, North America, South America, Africa and Asia through an extensive network of more than 1000 system integrators, Matrix ensures that the products serve the needs of its customers faster and longer. Matrix has gained trust and admiration of customers representing the entire spectrum of industries. Matrix has won many national and international awards for its innovative products.



MATRIX COMSEC

Head Office

394 – GIDC, Makarpura,

Vadodara – 390 010,

India.

Ph: +91 265 613 7222

E-mail: Inquiry@MatrixComSec.com

Factory

19 – GIDC, Waghodia,

Dist. Vadodara – 391 760, India.

Ph: +91 265 613 7222

MATRIX COMSEC – North America

2 Wickstead

Crt, Brampton,

Ontario – L6R 1N8.

Ph: (+1) 408-643-0581 (USA)

Ph: (+1) 437-266-1005 (Canada)

www.MatrixComsec.com